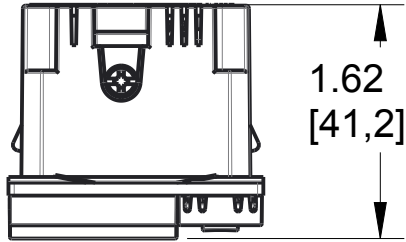


2

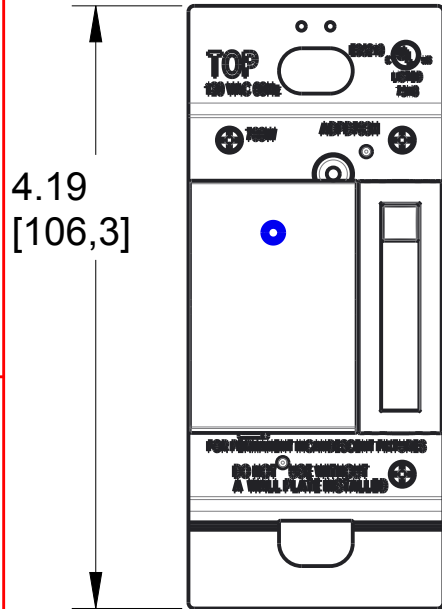
1



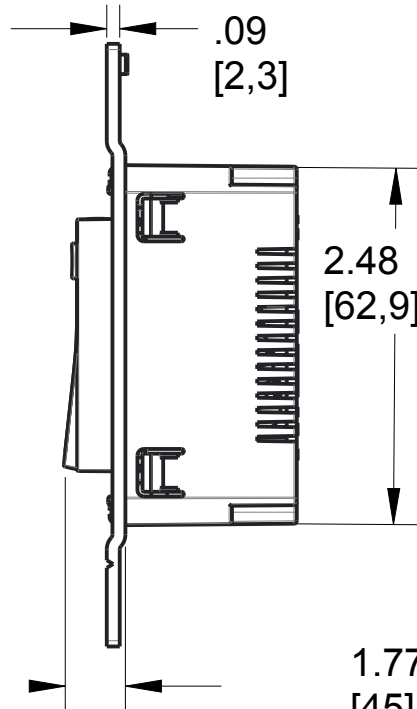
1.62  
[41,2]

REV	EC.NO.	DATE	DESCRIPTION	DFTR	CK.
A			INITIAL RELEASE		

B



4.19  
[106,3]

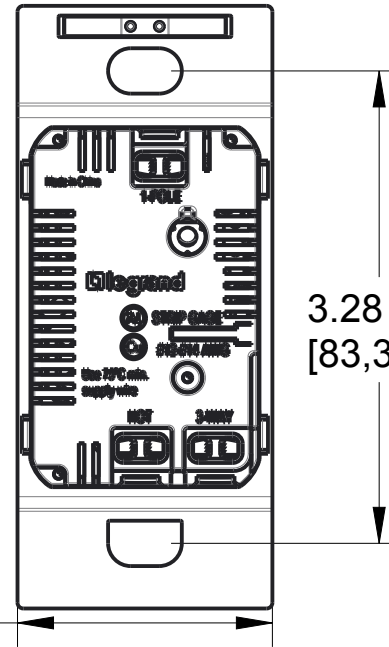


.09  
[2,3]

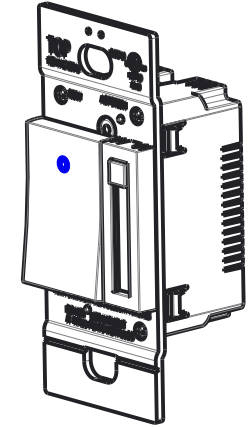
2.48  
[62,9]

1.77  
[45]

.42  
[10,6]



3.28  
[83,3]



SCALE 0.500

B

A

Size Face: 2x2 Module  
 Size Backbody: 3x2 Module  
 Ratings:  
 25W-450W, CFL  
 25W-450W, LED  
 25W-450W, Incandescent  
 25W-450W, Halogen  
 3rd Party Compliance: cULus LISTED  
 Termination: Back Wire Only  
 Misc: Copper Wire Only  
 Accepts Locator Status Light  
 For Use With adorne System Only

## ADPD453L, Paddle Dimmer

A

MATERIAL	SEE NOTE	UNSPECIFIED TOL. FRAC. ± 1/64 ANGLES ± 1.0 DEC .0 ± 0.02 .00 ± 0.01 .000 ± 0.005	 		
FINISH	SEE NOTE				
DSGN BY:	5/21/2015		MODEL NAME:	ADPD453	
DR BY:		SHT 1of1	PROJ.	DWG NO.:	REV.:
CK BY:		SCALE:	0.750	CD1162	A

NOTICE: Proprietary and confidential information of Pass & Seymour/Legrand  
 Reproduction or disclosure prohibited under penalty of law.

2

1