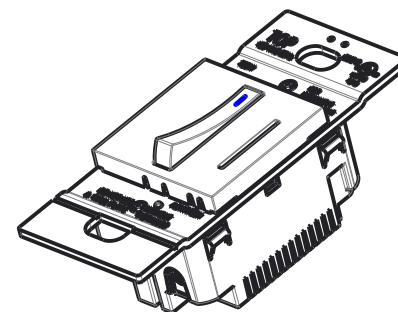
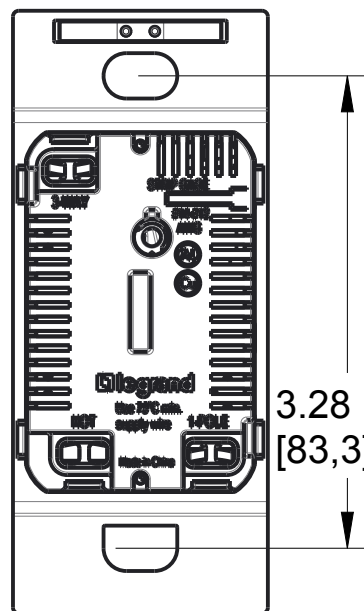
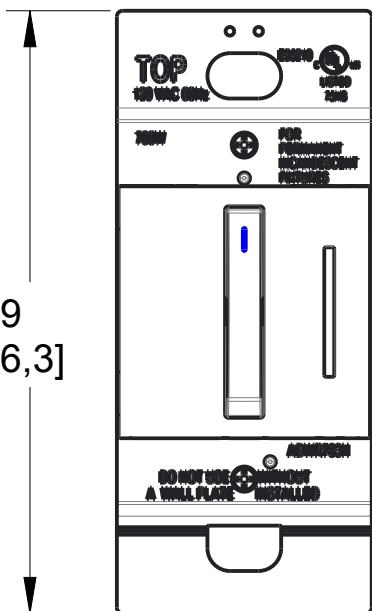
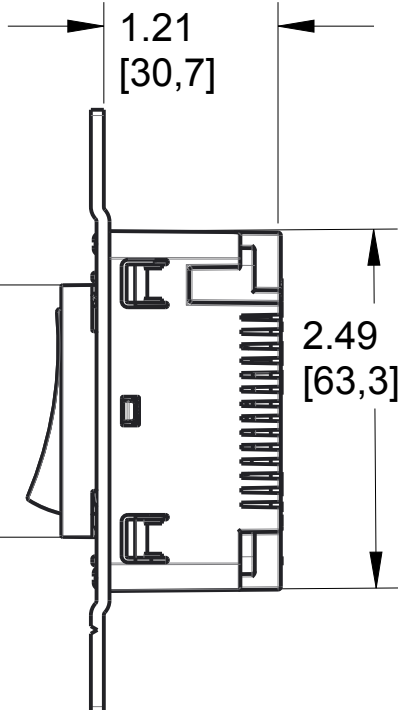
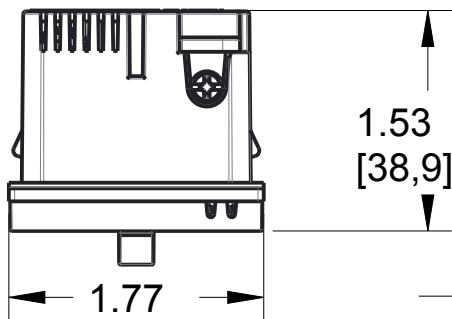


2

1

REV	EC.NO.	DATE	DESCRIPTION	DFTR	CK.
A			INITIAL RELEASE		



SCALE 0.500

B

B

A

A

Size Face: 2x2 Module
 Size Backbody: 3x2 Module
 3rd Party Compliance: cULus LISTED
 Rating:
 25W-700W, Incandescent
 25W-700W, Halogen
 Termination: Back Wire Only
 Misc: Copper Wire Only
 Accepts Locator Status Light
 For Use With adorne System Only

ADWR703H, Whisper Dimmer 700W

MATERIAL	SEE NOTE	UNSPECIFIED TOL. FRAC. ± 1/64 ANGLES ± 1.0 DEC. 0 ± 0.02 .00 ± 0.01 .000 ± 0.005	 		
FINISH	SEE NOTE				
DSGN BY:	5/26/2015		MODEL NAME:	ADWR703H	
DR. BY:		SHT 1of1	PROJ.	DWG. NO.:	REV.:
CK. BY:		SCALE: 0.750		CD1167	A

NOTICE: Proprietary and confidential information of Pass & Seymour/Legrand
 Reproduction or disclosure prohibited under penalty of law.

2

1