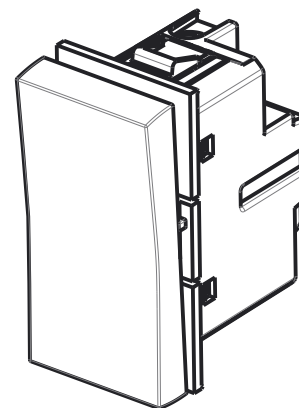
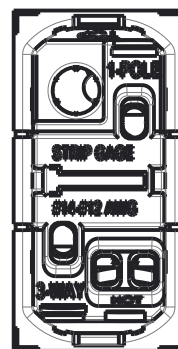
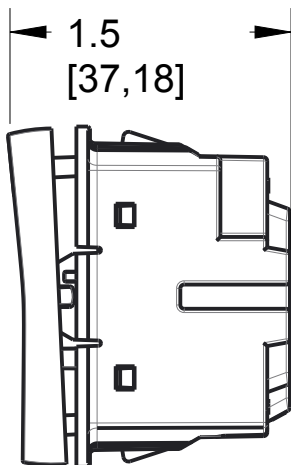
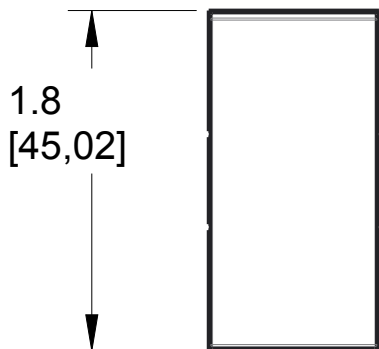
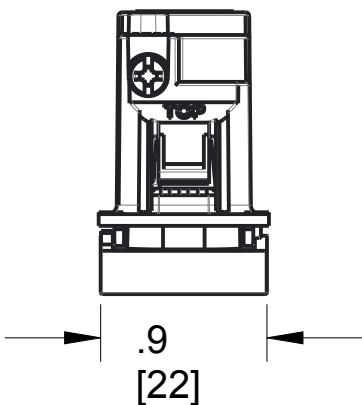


2

1

REV	EC.NO.	DATE	DESCRIPTION	DFTR	CK.
A			INITIAL RELEASE		





B

B

A

A

Size Face: 2x1 Module  
 Size Backbody: 2x1 Module  
 Rating:  
 15amps, 120VAC, All Loads  
 3rd Party Compliance: cULus LISTED  
 Termination: Back Wire Only  
 Misc: Copper Wire Only  
 Accepts Locator Status Light  
 For Use With adorne System Only

ASPD1531, Paddle Switch 1-Module					
MATERIAL	SEE NOTE	UNSPECIFIED TOL. FRAC. ± 1/64 ANGLES ± 1.0 DEC .0 ± 0.02 .00 ± 0.01 .000 ± 0.001		 MODEL NAME: ASPD1531	
FINISH	SEE NOTE				
DSGN BY:	5/21/2015				
DR BY:		SHT 1of1	PROJ.	DWG NO.:	REV.:
CK BY:		SCALE: 1.000		CD1165	A
NOTICE: Proprietary and confidential information of Pass & Seymour/Legrand Reproduction or disclosure prohibited under penalty of law.					

2

1