



# 4 Port Gigabit Enhanced Router/Switch (P/N DA1054)

User's Guide

1308150 REV. D



## FCC Certifications

This equipment generates and uses radio frequency energy and if not installed and used properly, that is, in strict accordance with the instructions provided with the equipment, may cause interference to radio and TV communication. The equipment has been tested and found to comply with the limits for a Class B digital device in accordance with the specifications in Subpart B of Part 15 of FCC rules, which are designed to provide reasonable protection against such interference in a residential installation. However, there is no guarantee that interference will not occur in a particular installation. If you suspect this equipment is causing interference, turn your Router/Switch on and off while your radio or TV is showing interference, if the interference disappears when you turn your Router/Switch off and reappears when you turn it back on, there is interference being caused by the Router/Switch.

You can try to correct the interference by one or more of the following measures:

- ◆ Reorient the receiving radio or TV antenna where this may be done safely.
- ◆ To the extent possible, relocate the radio, TV or other receiver away from the Router/Switch.
- ◆ Plug the Router/Switch into a different power outlet so that the Router/Switch and the receiver are on different branch circuits.

If necessary, you should consult the place of purchase or an experienced radio/television technician for additional suggestions.

## CE Mark Warning

This is a class B device, In a domestic environment, this product may cause radio interference, in which case the user may be required to take adequate measures.

All trademarks and brand names are the property of their respective proprietors.

Specifications are subject to change without prior notification.

# TABLE OF CONTENTS

<b>1.0 Introduction .....</b>	<b>4</b>
1.1 Features.....	5
1.2 Minimum Requirements .....	6
1.3 Detailed Physical Description.....	7
1.4 Installation.....	8
1.5 Initial Configuration .....	10
<b>2.0 Network Settings .....</b>	<b>13</b>
2.1 Quick Setup .....	13
2.2 Setup Wizard .....	13
2.3 Network Operation Mode .....	17
2.3.1 TCP/IP Settings .....	18
2.3.1.1 LAN Interface Setup.....	18
2.3.1.2 WAN Interface Setup.....	19
DHCP Client .....	20
Static IP .....	21
PPPoE .....	22

# 1.0 Introduction

The Legrand 4 Port Gigabit Enhanced Router/Switch (P/N DA1054) is a flexible hardware configurable switch/router product designed to be used as a router with an integrated 4-port Gigabit Ethernet switch, or as a 5-port Gigabit Ethernet switch for use with a 3<sup>rd</sup> party external router. It is the perfect solution to connect a small group of PCs to a high-speed broadband Internet connection (see **Figure 1**). Up to 253 users can have high-speed Internet access simultaneously via one single IP address (Internet account) of the Cable/xDSL modem.

With its built in NAT technology, this product also serves as an Internet firewall, protecting your network from being accessed by outside users. All incoming data packets are monitored and filtered. The Router can also be configured with Client Filtering, to filter internal users' access to the Internet. The built-in 4-port Gigabit Ethernet Switch lets users plug the network cable into the device without buying additional Hub/Switch.

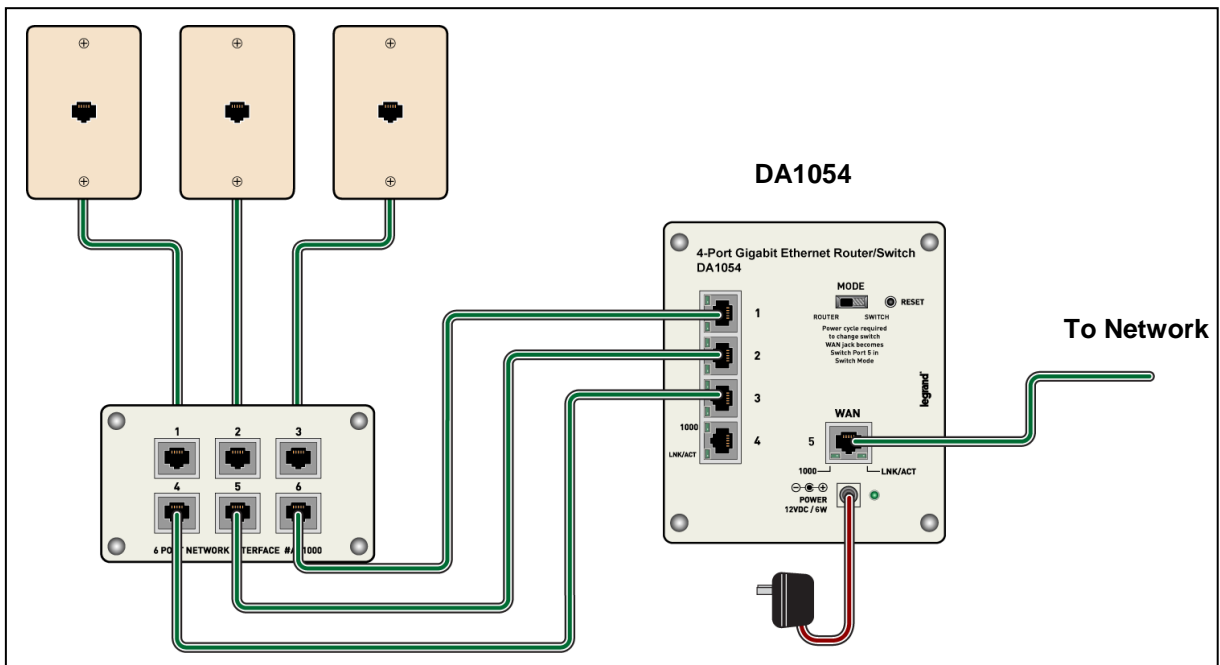


Figure 1

**NOTE: Legrand Unity systems need to be upgraded to firmware release 2.2.x or later to properly function with this router.**

# 1.1 Features

## ■ Internet Access Features

- ◆ **All Gigabit Ports Support.** Auto-negotiation, auto MDI/MDI-X Ethernet ports. DA1054 eliminates most cabling inconvenience. One WAN port, 10/100/1000Base-T is connected to your DSL or Cable modem. The other 4 LAN ports, 10/100/1000Base-T are used to connect to local LAN.
- ◆ **Shared Internet Access.** All users on the LAN can access the Internet through the DA1054 using only a single external IP Address. The local (invalid) IP Addresses are hidden from external sources. This process is called NAT (Network Address Translation).
- ◆ **Fixed, PPPoE, Dynamic, and Direct Connection Support.** Various WAN connections are supported by DA1054.

## ■ Advanced Internet Functions

- ◆ **Internet Communication Applications.** DA1054 supports Internet communication applications, such as interactive Games, Telephony, and Conferencing applications, which are often difficult to use when behind a Firewall
- ◆ **Special Internet Applications.** Using non-standard connections or port numbers are normally blocked by the Firewall. The ability to define and allow such applications is provided, to enable such applications to be used normally.
- ◆ **Virtual Servers Support.** This feature allows Internet users to access Internet servers on your LAN. The required setup is quick and easy.
- ◆ **DMZ Support.** DA1054 can translate public IP addresses to private IP address to allow unrestricted 2-way communication with Servers or individual users on the Internet. This provides the most flexibility to run programs, which are incompatible with Firewalls.
- ◆ **URL Filter.** Keyword based URL Filter to block access to undesirable Web sites by LAN users.
- ◆ **Firewall.** It supports Stateful Packet Inspection firewall for DoS (Denial of Service) attacks.
- ◆ **Dynamic DNS Support.** When used with the Virtual Servers feature, allows users to connect to Servers on your LAN using a Domain Name, even if you have a dynamic IP address which changes every time you connect.
- ◆ **VPN Pass through Support.** PCs with VPN (Virtual Private Networking) software using PPTP, L2TP and IPSec are transparently supported - no configuration is required.
- ◆ **Access Control.** Using the Access Control feature, you can assign LAN users to different groups, and determine which Internet services are available to each group.
- ◆ **Password protected Configuration.** Optional password protection is provided to prevent unauthorized users from modifying the configuration data and settings.

## ■ LAN Features

- ◆ **DHCP Server Support.** Dynamic Host Configuration Protocol provides a dynamic IP address to PCs and other devices upon request. DA1054 can act as a DHCP Server for devices on your local LAN and WLAN.
- ◆ **PC database.** LAN users can be added manually or discovered automatically by DA1054, through this built-in user database, administrators are able to have a centralized networking management.
- ◆ **Routing.** LANs containing one or more segments are supported via RIP1 (Routing Information Protocol) support and built-in static routing table.

## ■ Configuration & Management

- ◆ **Easy Setup.** Built-In configuration wizard helps users to complete network installation in a very short time via standard Internet browsers such as Microsoft Internet Explorer, Firefox, Chrome...etc.
- ◆ **Remote Management.** DA1054 can be managed from any PC on LAN or via Internet anywhere around the world.
- ◆ **UPnP Support.** UPnP (Universal Plug and Play) allows automatic discovery and configuration of the DA1054. UPnP is by supported by Windows ME, XP, or later.
- ◆ **Logs.** It provides system log and security log, and log can be saved or mail to a specific account.
- ◆ **Configuration File Upload/Download.** Save (download) the configuration data from the Broadband Router to your PC and restore (upload) a previously-saved configuration file to the Broadband Router.

## 1.2 Minimum Requirements

- One External xDSL, FIOS, or Cable modem with an Ethernet port (RJ-45)
- Network Interface Card (NIC) for each Personal Computer (PC)
- PCs with a Web-Browser (Internet Explorer 7.0 or higher, or Firefox 3.6 or higher)

## 1.3 Detailed Physical Description

### Router/Switch Module Connection Area

**Figure 2** shows the Router/Switch connection area including:

DC Input connector – from power supply

WAN (Internet) Port – 8 position RJ-45 jack (to Cable or DSL or FIOS modem)

Local Switch Ports – 8 position RJ-45 jacks (from outlets in rooms)

Routing Switch – Disconnects router from 4-port switch when an external router is used and converts WAN port to 5<sup>th</sup> switch port (power re-cycle required).

Reset Button - A button press cycles the power, while a ten (10) second press and hold resets the Router/Switch unit to the factory default settings. This clears all user settings, including User Name, Password, IP Address, and Subnet Mask.

**NOTE: Refer to Section IV Configuration for instructions on re-configuring the Router/Switch.**

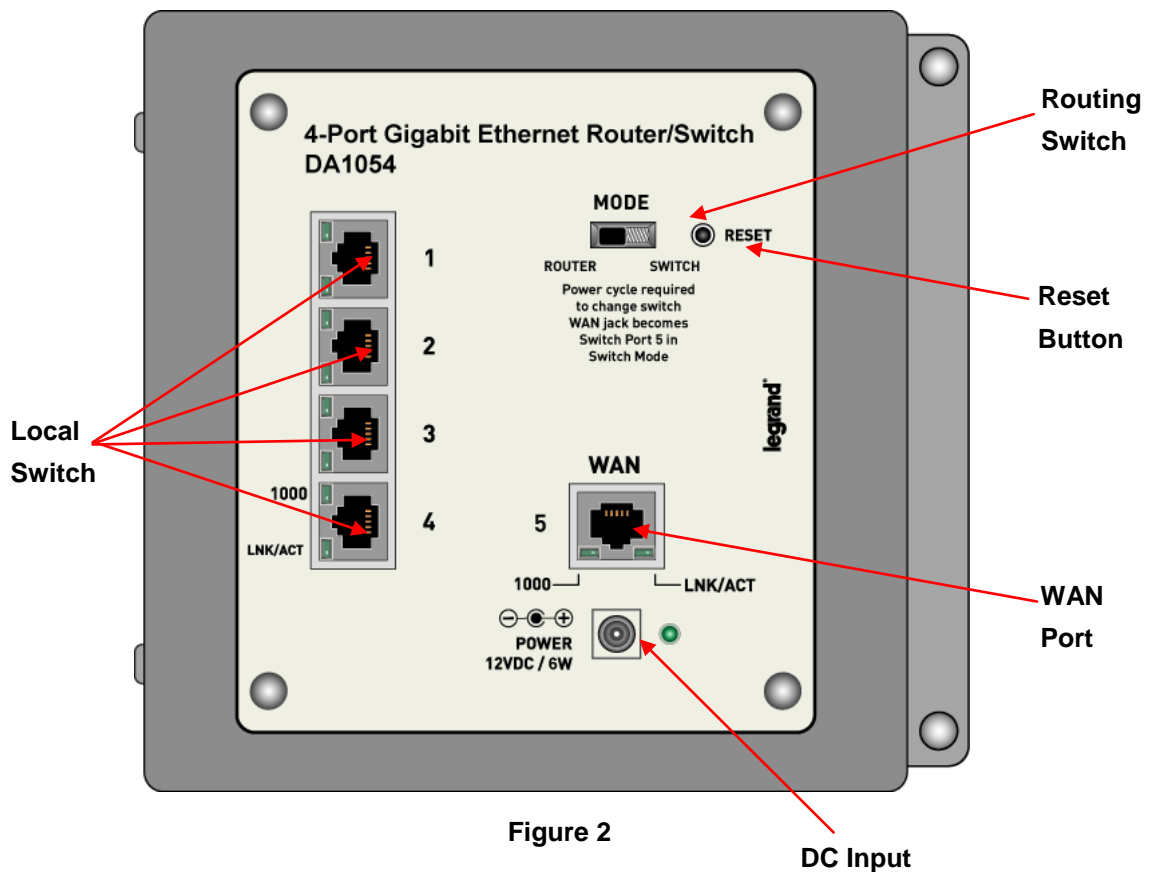


Figure 2

DC Input

### Router/Switch Status LEDs next to each RJ45 connector(see Figure 2)

**Power** – On solid green when power is supplied.

### Link/Act and 1000 Local Port and WAN Port LEDs

**Link/Act** – On solid green indicates functional LAN or WAN link through the port with the attached device. Off means no LAN or WAN connection.

**1000** – On solid green indicates port is operating at 1000 Mbps. Off indicates otherwise.

## 1.4 Installation

The DA1054 4 Port Router/Switch is best installed during new construction in two steps; at “rough-in” after the Electricians are done, but prior to drywall being installed, and at “trim-out” after the drywall is installed and painted. These steps are detailed below:

### A. “Rough-in” steps:

1. A single dedicated Cat 5e/6 should be run in the walls from the structured wiring enclosure location in the home where the 4 Port Router/Switch will be installed to each outlet location in the rooms where Internet service is required (leave extra cable at both ends).

**NOTE: Run Cat 5e/6 cable at least 12” from electrical cabling (preferably in a separate stud cavity) and cross electrical cables at a 90° angle. Use loose Velcro-style cable ties for bundling. If stapling is required, use specialty staples to avoid compressing the cable.**

2. At the selected outlet locations, a single gang box or low voltage bracket should be installed, with the extra Cat 5e/6 cable in the box, or attached in such a way that it may be fished out after the drywall is installed.

### B. “Trim-out” steps:

1. The Cat 5e/6 that was secured at each of the outlets should be pulled out and terminated with a 110 punchdown tool on an RJ45 insert and attached to a wallplate, which is then installed in the single gang box or low voltage bracket.
2. In the structured wiring enclosure the Cat 5e from the outlets may be terminated with a 110 punchdown tool onto a Legrand Network Interface Module or with RJ-45 plugs, using a tool such as our EZ RJ45 Modular Plug Hand Toll (P/N 364555-01) for direct connection to the DA1054 4 Port Gigabit Router/Switch.
3. The 4 Port Gigabit Router/Switch is installed in the structured wiring enclosure by slipping the tabs into the square holes, and using the push pin in a round hole to secure the router.
4. If the outlet cables were punched down at a Network Interface Module, Cat 5e/6 patch cables (available separately) are then connected from the 6 Port Network Interface Module to the input ports on the 4-Port Gigabit Router/Switch.
5. An additional Cat 5e/6 patch cable is then connected from the network (WAN) port of the 4 Port Gigabit Router/Switch to the Cable Modem or DSL Modem housed in the structured wiring enclosure and make sure the routing switch is in the “On” position.



6. The 4 Port Gigabit Router/Switch is powered with an AC to DC adapter which also needs to be plugged in to an AC source.
  
7. Follow the steps in the next two sections for configuring the router.

**NOTE: Use proper tools and standard TIA 568A rules to prep and terminate the Cat 5e/6 cable, such as a Cat 5 Cable Stripper, an RJ45 Crimp Tool and a 110 Punchdown Tool.**

## 1.5 Initial Configuration

The DA1054 4 Port Gigabit Router/Switch is typically configured in one of two ways; (1) From a portable PC connected through one of the Local Switch Ports on the Router/Switch Module in the enclosure, or (2) From a PC in one of the rooms of the house, connected through an outlet in the room to the enclosure where it is patched to (or directly connected to) one of the Local Switch Ports (see **Figure 3**). In either case, the PC must have an Ethernet Network Interface Card to communicate with the Router/Switch.

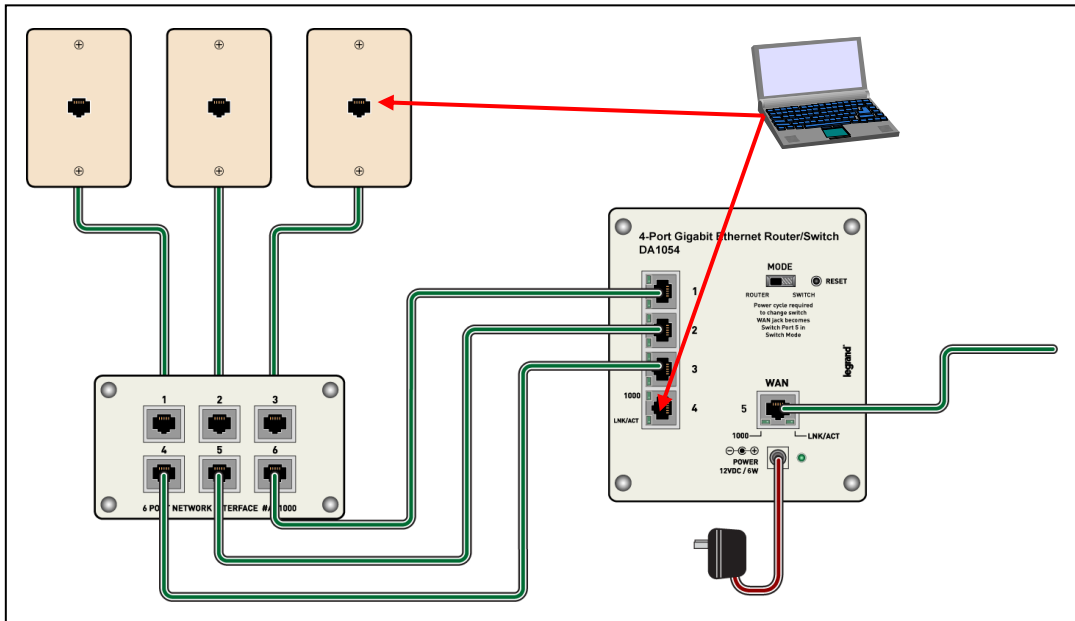


Figure 3

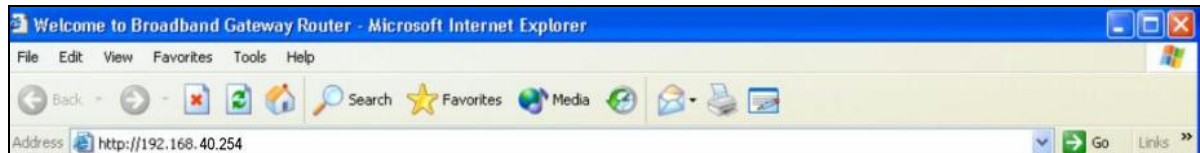
### A. Configuring a Network Interface Card to talk to the Router/Switch

**NOTE:** The steps below assume that your PC's network interface card is set to DHCP, or in other words, to obtain IP addressing automatically. The steps also assume that the 4 Port Gigabit Router/Switch is set to its default settings and that all the cables previously discussed are properly connected. It is also possible to perform these steps by configuring your computer (with installed Ethernet Network Interface Card) to talk to the Router/Switch on its specific IP subnetwork (192.168.40.xxx). The Router/Switch's default IP address in that subnetwork is 192.168.40.254, so your PC's Ethernet Card can be temporarily assigned an IP address, (like 192.168.40.10), on that same subnetwork to talk to and configure the Router/Switch. Giving the PC a specific IP address is also called assigning it a Static IP address, as compared to a Dynamic IP address that is typically assigned by a service provider when your PC's network interface card is configured for Dynamic Host Configuration Protocol (DHCP).

**NOTE: Before doing any PC IP Address re-configuration, make sure you first write down all of the current IP settings. XP users can set “last known useable configuration” under System Accessories before re-configuring.**

## **B. Logging on to the Router/Switch**

1. With your PC connected to one of the local ports on the Router/Switch and its front panel routing switch in the “On” position, open a browser and enter the Router/Switch’s default IP address (192.168.40.254), and click “Go” (see **Figure 4**) to get the login page.



**Figure 4**

2. To logon, enter “admin” for the user name and password and just click **OK** (see **Figure 5**).



**Figure 5**

3. **Figure 6** shows the System Status screen that you will see once you have logged on. By clicking on the “Setup Wizard” selection in the upper left corner, the Setup Wizard will lead you step-by-step through the initial configuration of the Router.

**NOTE: You can also manually configure the Router/Switch by clicking on a function listed on the left of the page such as “Operation Mode” or “Management” to change your User Name or Password, perform a firmware upgrade, restore factory defaults, or backup/restore system settings.**

**logrand** Gigabit Broadband Router

**Router Status**

This page shows the current status and some basic settings of the device.

System	
Uptime	0day:0h:5m:34s
Firmware Version	v2.5_20120517
Build Time	Thu May 17 11:30:41 CST 2012
TCP/IP Configuration	
Attain IP Protocol	Fixed IP
IP Address	192.168.1.254
Subnet Mask	255.255.255.0
Default Gateway	192.168.1.254
DHCP Server	Enabled
MAC Address	00:30:4f:aa:bb:cd
WAN Configuration	
Attain IP Protocol	Getting IP from DHCP server...
IP Address	0.0.0.0
Subnet Mask	0.0.0.0
Default Gateway	0.0.0.0
MAC Address	00:30:4f:aa:bb:cc

**goahead**  
**WEB SERVER**

Figure 6

To start Broadband router web configuration, you must have one of these web browsers installed on computer for management. Microsoft Internet Explorer 6.00 or higher with Java support

## 2.0 Network Settings

### 2.1 Quick Setup

The Broadband router integrates a web-based graphical user interface that can cover most configurations and machine status monitoring. Via standard web browser, you can configure and check machine status from anywhere around the world. This User's Guide introduces you to the steps necessary to get the DA1054 functioning. For more advanced settings and features refer to the Owner's Manual for this product.

### 2.2 Setup Wizard

It is easy to configure and manage the Router with a web browser. After successfully logging in, you can click **Setup Wizard** to quickly configure your Router.



The screenshot shows the web interface for a Legrand Gigabit Broadband Router. The top navigation bar includes the Legrand logo and the text "Gigabit Broadband Router". On the left, a "Site contents" menu lists various configuration options: Setup Wizard, Operation Mode, TCP/IP Settings, Firewall, QoS, Route Setup, Management, and Logout. The main content area is titled "Setup Wizard" and contains the following text:

The setup wizard will guide you to configure broadband router for first time. Please follow the setup wizard step by step.

---

**Welcome to Setup Wizard.**

**The Wizard will guide you the through following steps. Begin by clicking on Next.**

1. Setup Operation Mode
2. Choose your Time Zone
3. Setup LAN Interface
4. Setup WAN Time Zone

At the bottom right of the main content area, there is a "Next>>" button.

## Step 1. Select the WAN Access Type

In this page, you can accord your network environment to select the Gateway mode or the Bridge mode.

**legrand** Gigabit Broadband Router

### Operation Mode

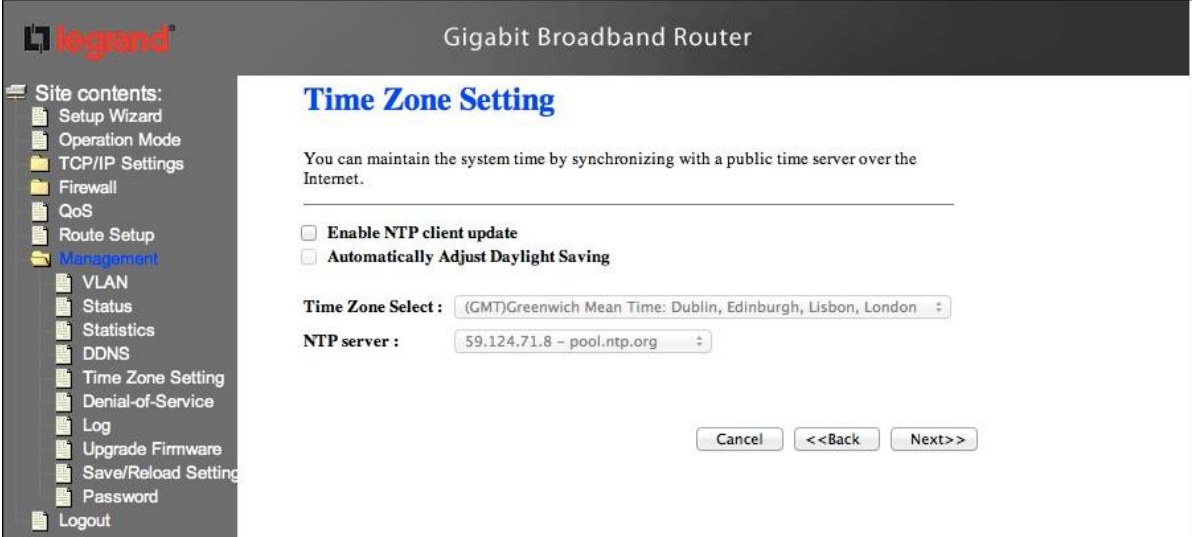
You can setup different modes to LAN and WLAN interface for NAT and bridging function.

- Gateway:** In this mode, the device is supposed to connect to internet via ADSL/Cable Modem. The NAT is enabled and PCs in LAN ports share the same IP to ISP through WAN port. The connection type can be setup in WAN page by using PPPOE, DHCP client, PPTP client, L2TP client or static IP.
- Bridge:** In this mode, all ethernet ports and wireless interface are bridged together and NAT function is disabled. All the WAN related function and firewall are not supported.

Object	Description
<b>Bridge</b>	In this mode, all Ethernet ports are bridged together and the client will connect to ISP access point. The NAT is enabled and PCs in Ethernet ports share the same IP to ISP through LAN.
<b>Gateway</b>	In this mode, the device is supposed to connect to internet via ADSL/Cable Modem. The NAT is enabled and your PC in LAN port shares the same IP to ISP through WAN port. The connection type can be setup in WAN page by using Static, DHCP Client, PPPOE, PPTP or L2TP.

## Step 2. Choose the time zone

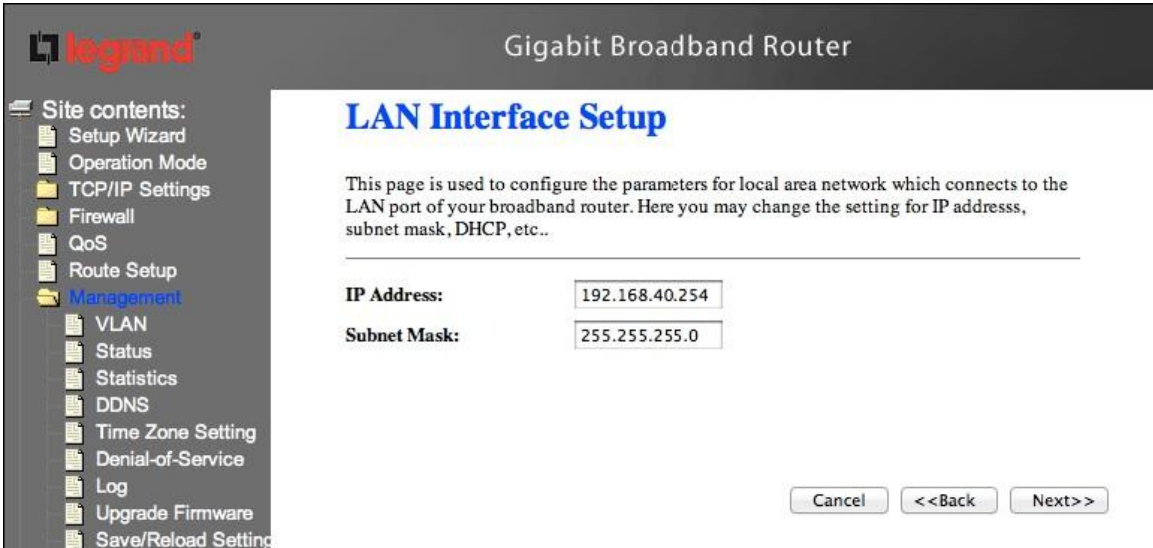
The Time Zone Settings allows your router to set up its Time Zone and Daylight Saving Time, these will affect functions such as Log entries and Firewall settings.



The screenshot shows the 'Time Zone Setting' page in the Legrand Gigabit Broadband Router web interface. The left sidebar contains a 'Site contents' menu with options like Setup Wizard, Operation Mode, TCP/IP Settings, Firewall, QoS, Route Setup, Management, VLAN, Status, Statistics, DDNS, Time Zone Setting, Denial-of-Service, Log, Upgrade Firmware, Save/Reload Setting, Password, and Logout. The main content area is titled 'Time Zone Setting' and includes the following text: 'You can maintain the system time by synchronizing with a public time server over the Internet.' Below this, there are two unchecked checkboxes: 'Enable NTP client update' and 'Automatically Adjust Daylight Saving'. The 'Time Zone Select' dropdown is set to '(GMT)Greenwich Mean Time: Dublin, Edinburgh, Lisbon, London'. The 'NTP server' dropdown is set to '59.124.71.8 - pool.ntp.org'. At the bottom right, there are three buttons: 'Cancel', '<<Back', and 'Next>>'.

## Step 3. Setup LAN Interface

The default IP address and the subnet mask is **192.168.40.254** and **255.255.255.0**, you can change the parameter in this page.



The screenshot shows the 'LAN Interface Setup' page in the Legrand Gigabit Broadband Router web interface. The left sidebar contains a 'Site contents' menu with options like Setup Wizard, Operation Mode, TCP/IP Settings, Firewall, QoS, Route Setup, Management, VLAN, Status, Statistics, DDNS, Time Zone Setting, Denial-of-Service, Log, Upgrade Firmware, Save/Reload Setting, Password, and Logout. The main content area is titled 'LAN Interface Setup' and includes the following text: 'This page is used to configure the parameters for local area network which connects to the LAN port of your broadband router. Here you may change the setting for IP address, subnet mask, DHCP, etc..'. Below this, there are two input fields: 'IP Address' with the value '192.168.40.254' and 'Subnet Mask' with the value '255.255.255.0'. At the bottom right, there are three buttons: 'Cancel', '<<Back', and 'Next>>'.

#### Step 4. Setup WAN Interface

Enter the information for the selected WAN Access Type, and then click Next. If your access type is DHCP Client, then you can get the IP address from the ISP, so you do not need to enter the information like other modes.

**legrand** Gigabit Broadband Router

### WAN Interface Setup

This page is used to configure the parameters for Internet network which connects to the WAN port of your broadband router. Here you may change the access method to static IP, DHCP, PPPoE, PPTP or L2TP by click the item value of WAN Access type.

WAN Access Type:

- Static IP
- DHCP Client
- PPPoE
- PPTP
- L2TP

Cancel <<Back Finished

Site contents:  
Setup Wizard  
Operation Mode  
TCP/IP Settings  
Firewall  
QoS  
Route Setup  
Management  
VLAN  
Status  
Statistics  
DDNS  
Time Zone Setting  
Denial-of-Service  
Log  
Upgrade Firmware  
Save/Reload Setting  
Password

#### Step 5. Click the Finished button. You will then see the Finish page as shown below.

The Router will reboot automatically to make your configuration to take effect and finish the **Setup**.

**legrand** Gigabit Broadband Router

### Change setting successfully!

Do not turn off or reboot the Device during this time.

Please wait 20 seconds ...

Site contents:  
Setup Wizard  
Operation Mode  
TCP/IP Settings  
LAN Interface  
WAN Interface  
Firewall  
Port Filtering  
IP Filtering  
MAC Filtering  
Port Forwarding  
URL Filtering  
DMZ  
VLAN  
QoS  
Route Setup  
Management



## 2.3 Network Operation Mode

You can setup different modes to WAN and LAN interface for NAT, Bridging.

**legrand** Gigabit Broadband Router

**Operation Mode**

You can setup different modes to LAN and WLAN interface for NAT and bridging function.

- Gateway:** In this mode, the device is supposed to connect to internet via ADSL/Cable Modem. The NAT is enabled and PCs in LAN ports share the same IP to ISP through WAN port. The connection type can be setup in WAN page by using PPPOE, DHCP client, PPTP client, L2TP client or static IP.
- Bridge:** In this mode, all ethernet ports are bridged and NAT function is disabled. All the WAN related function and firewall are not supported.

Object	Description
<b>Bridge</b>	In this mode, all Ethernet ports are bridged together and the client will connect to ISP access point. The NAT is enabled and PCs in Ethernet ports share the same IP to ISP through LAN.
<b>Gateway</b>	In this mode, the device is supposed to connect to internet via ADSL/Cable Modem. The NAT is enabled and your PC in LAN port shares the same IP to ISP through WAN port. The connection type can be setup in WAN page by using Static, DHCP Client, PPPOE, PPTP or L2TP.

## 2.3.1 TCP/IP Setting

This page allows you to change the parameter for LAN and WAN interface.

### 2.3.1.1 LAN Interface Setup

Choose menu “**TCP/IP Settings**→**LAN Interface**”, you can configure the parameters for local area network which connects to the LAN port of your Gateway. Here you may change the setting for IP address, subnet mask, DHCP, etc.

**legrand** Gigabit Broadband Router

### LAN Interface Setup

This page is used to configure the parameters for local area network which connects to the LAN port of your broadband router. Here you may change the setting for IP address, subnet mask, DHCP, etc..

**IP Address:**

**Subnet Mask:**

**Default Gateway:**

**DHCP:**

**DHCP Client Range:**  -

**DHCP Lease Time:**  (1 ~ 10080 minutes)

**Static DHCP:**

**802.1d Spanning Tree:**

Object	Description
<b>IP Address</b>	LAN IP Address of the Access Point <b>Default : 192.168.40.254</b>
<b>Subnet Mask</b>	LAN mask of the Access Point <b>Default : 255.255.255.0</b>
<b>Default Gateway</b>	Gateway IP Address <b>Default : 192.168.40.254</b>
<b>DHCP Server</b>	You can select <b>Server</b> or <b>Disable</b> . If you select Disable, the DHCP service of LAN port is disabled. <b>Default : Server</b>
<b>DHCP Client Range</b>	The first and last IP address that DHCP server assigns. <b>Default : 192.168.40.100 – 192.168.40.200</b>
<b>Static DHCP</b>	It allows you reserve IP addresses, and assign the same IP address to the network device with the specified MAC address any time it requests an IP address <b>Default : Disable</b>
<b>802.11d Spanning Tree</b>	Spanning Tree Protocol. You can select Enable or Disable. <b>Default : Disable</b>

## 2.3.1.2 WAN Interface Setup

Choose menu “**TCP/IP Settings**→**WAN Interface**”, you can configure the IP parameters of the WAN on the screen below when router mode is enabled.

**legrand** Gigabit Broadband Router

**WAN Interface Setup**

This page is used to configure the parameters for Internet network which connects to the WAN port of your broadband router. Here you may change the access method to static IP, DHCP, PPPoE, PPTP or L2TP by click the item value of WAN Access type.

**WAN Access Type:** DHCP Client

**Host Name:**

**MTU Size:**  (1400-1492 bytes)

**Clone MAC Address:**

Enable uPNP  
 Enable IGMP Proxy  
 Enable Ping Access on WAN  
 Enable Web Server Access on WAN  
 Enable IPsec pass through on VPN connection  
 Enable PPTP pass through on VPN connection  
 Enable L2TP pass through on VPN connection  
 Enable IPv6 pass through on VPN connection

Attain DNS Automatically  
 Set DNS Manually

**DNS 1:**   
**DNS 2:**   
**DNS 3:**

### ■ DHCP Client

If your ISP provides the DHCP service, please choose **DHCP Client** type, and the Router will automatically obtain IP parameters from your ISP. You can see the page as follows.

The page includes the following fields:

Object	Description
Host Name	This option specifies the Host Name of the Router.
MTU Size	<b>The default MTU (Maximum Transmission Unit) value is 1492 Bytes. It is not recommended that you change the default MTU Size unless required by your ISP.</b>

Object		Object
WAN Access Type	DHCP Client	Connections which use dynamic IP address assignment "Typical".
	Static IP	Connections which use static IP address assignment.
	PPPoE	Connections which use PPPoE that requires a user name and password.
	PPTP	Connections which use a Point-to-Point Tunneling Protocol (PPTP) connection.
	L2TP	Connections which use a Layer2 Tunneling Protocol (L2TP) connection.
Attain DNS Automatically	Select to attain DNS automatically from your ISP.	
Set DNS Manually	<p>Select to specify your own preferred DNS Server IP address.</p> <p>The DNS 2 or DNS 3 is optional. You can enter the secondary and the third DNS Server's IP address as an alternative of DNS 1.</p>	
Clone MAC Address	Your ISP may require a particular MAC address in order for you to connect to the Internet. This MAC address is the PC's MAC address that your ISP had originally connected your Internet to. Type in this section to replace the WAN MAC address with the MAC address of that PC.	
Enable IGMP Proxy	Check to enable the <b>IGMP Proxy</b> function.	
Enable Ping Access on WAN	Check to enable the <b>Ping Access on WAN</b> function.	
Enable Web Server Access on WAN	Check to enable the <b>Web Server Access on WAN</b> function.	
Enable IPsec pass through on VPN connection	Check to enable the <b>IPsec pass through on VPN connection</b> function.	
Enable PPTP pass through on VPN connection	Check to enable the <b>PPTP pass through on VPN connection</b> function.	
Enable L2TP pass through on VPN connection	Check to enable the <b>L2TP pass through on VPN connection</b> function.	
Enable IPv6 pass through on VPN connection	Check to enable the <b>IPv6 pass through on VPN connection</b> function.	
Apply Changes	After completing the settings on this page, click <b>Apply changes</b> button to save the settings.	
Reset	Click <b>Reset</b> to restore to default values.	

■ **Static IP**

If your ISP provides a static or fixed IP Address, then you have to setup the IP address, Subnet Mask, Gateway and DNS setting. You can see the page as follows.

The screenshot shows the configuration page for a Legrand Gigabit Broadband Router. On the left is a navigation menu with 'TCP/IP Settings' selected. The main area contains the following fields and options:

- WAN Access Type:** Static IP (dropdown menu)
- IP Address:** 10.1.1.224
- Subnet Mask:** 255.255.255.0
- Default Gateway:** 10.1.1.254
- MTU Size:** 1500 (1400-1500 bytes)
- DNS 1:** 8.8.8.8
- DNS 2:** (empty)
- DNS 3:** (empty)
- Clone MAC Address:** 000000000000
- Enable uPNP
- Enable IGMP Proxy
- Enable Ping Access on WAN
- Enable Web Server Access on WAN
- Enable IPsec pass through on VPN connection
- Enable PPTP pass through on VPN connection
- Enable L2TP pass through on VPN connection
- Enable IPv6 pass through on VPN connection

Buttons at the bottom: 'Apply Changes' and 'Reset'.

The page includes the following fields:

Object	Description
<b>IP Address</b>	Enter the IP address in dotted-decimal notation provided by your ISP.
<b>Subnet Mask</b>	Enter the subnet Mask in dotted-decimal notation provided by your ISP, usually is 255.255.255.0
<b>Default Gateway</b>	(Optional) Enter the gateway IP address in dotted-decimal notation provided by your ISP.
<b>MTU Size</b>	The normal <b>MTU</b> (Maximum Transmission Unit) value for most Ethernet networks is 1500 Bytes. It is not recommended that you change the default <b>MTU Size</b> unless required by your ISP.
<b>DNS 1</b>	Enter the DNS server IP address provided by your ISP, or you can specify your own preferred DNS server IP address.
<b>DNS 2 &amp; DNS 3</b>	You can enter another DNS server's IP address as a backup. DNS 2 and 3 servers will be used when the DNS 1 server fails.

■ PPPoE

If your ISP provides a PPPoE connection, select **PPPoE** option. User has to setup the user name and password according to the ISP that provided the related information. You can see the page as follows.

**legrand** Gigabit Broadband Router

**WAN Interface Setup**

This page is used to configure the parameters for Internet network which connects to the WAN port of your Access Point. Here you may change the access method to static IP, DHCP, PPPoE, PPTP or L2TP by click the item value of WAN Access type.

WAN Access Type:

User Name:

Password:

Service Name:

Connection Type:

Idle Time:  (1-1000 minutes)

MTU Size:  (1360-1492 bytes)

Attain DNS Automatically

Set DNS Manually

DNS 1:

DNS 2:

DNS 3:

Clone MAC Address:

Enable IGMP Proxy

Enable Ping Access on WAN

Enable Web Server Access on WAN

Enable IPsec pass through on VPN connection

Enable PPTP pass through on VPN connection

Enable L2TP pass through on VPN connection

Enable IPv6 pass through on VPN connection

The page includes the following fields:

Object	Description
<b>User Name</b>	Enter the User Name provided by your ISP. This field is case-sensitive.
<b>Password</b>	Enter the Password provided by your ISP. This field is case-sensitive.
<b>Service Name</b>	Enter the Internet service provider name in this field.
<b>Connection Type</b>	Select the connection type <b>Continuous</b> , <b>Connect on Demand</b> or <b>Manual</b> from the drop-down menu. If selected <b>Manual</b> , user can click <b>Connect</b> button to make a connection.
<b>Idle Time</b>	It represents that the device will idle after the minutes you set. The time must be set between 1~1000 minutes. Default value of idle time is 5 minutes. This function will be available when the Connection Type is selected to <b>Connect on Demand</b> .
<b>MTU Size</b>	The default <b>MTU</b> (Maximum Transmission Unit) value is 1452 Bytes. It is not recommended that you change the default <b>MTU Size</b> unless required by your ISP.