



LyriQ Multi-Room Audio System in the Studio Design



Attractive flush mount inputs simplify installation and minimize clutter.

Whole house control is available via universal remote or any keypad at the touch of a button.



Contemporary Studio Design blends with any decor and complements Selective Call Intercom System.

Installation based on Cat 5 wiring is easy and reliable.

AU5544-WH
LyriQ Multi-Source, 4-Zone Kit in Studio Design

INNOVATIVE TECHNOLOGY

WHOLE HOUSE CONTROL

Available directly from any keypad or from the universal remote, whole house control enables volume adjustment and source selection for the whole house system.

AIRQAST

The LyriQ airQast Main Source allows users to access their favorite digital music, Internet radio stations, and streaming services such as Pandora and SiriusXM directly from their phone or tablet and play them through any On-Q speaker in the home.

EFFICIENT INSTALLATION

Based on Cat 5 cabling, the LyriQ Audio System includes easy installation features such as convenient RJ45 connections.



LyriQ Keypad (AU5009-XX)

SYSTEM FEATURES

Up to four sources per multi-source system

Up to eight zones per multi-source system, with ability to expand

Whole house control via universal remote and keypad

High performance 40W and 14W standard systems

Stream music directly from smartphone or tablet via Wi-Fi network

Up to two local source inputs per keypad

Local source selectable via keypads

Elegant, contemporary design

Efficient and reliable installation via Cat 5 wiring

Use the Charge & Play Kit to play music throughout the house stored on any smart phone, tablet or MP3 player



www.legrand.us/onq



LyriQ Multi-Room Audio System in the Studio Design

AUDIO KITS



AU5646-WH
lyriQ High Performance Multi-Source, Six-Zone Kit in Studio Design



AU5744
lyriQ Multi-Source Charge & Play Four-Zone Kit in Studio Design



AU5544-WH
lyriQ Multi-Source, Four-Zone Kit in Studio Design

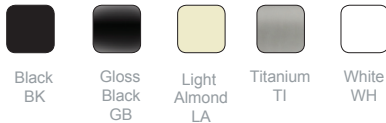


AU5852
lyriQ airQast Multi-Source Two-Zone Kit in Studio Design

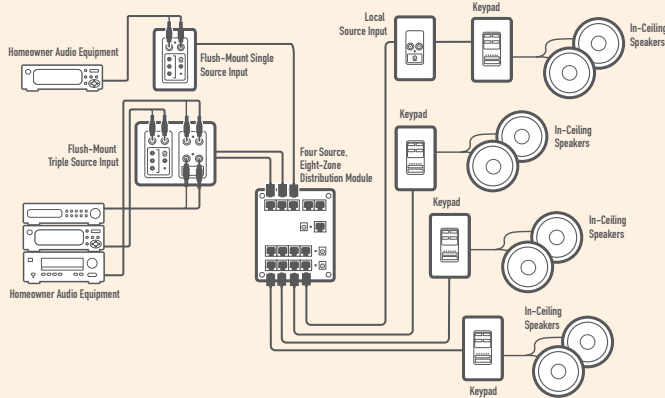
ADDITIONAL PRODUCTS

PRODUCT	PART #	COLOR
lyriQ Charge & Play Kit	AU5015-WH	White
lyriQ Local Source Input	AU5008-XX	Gloss Black, Light Almond, Titanium, White
lyriQ Keypad	AU5009-XX	Gloss Black, Light Almond, Titanium, White
lyriQ High Performance Keypad	AU5010-XX	Gloss Black, Light Almond, Titanium, White
lyriQ Flush Mount Triple Source Input	AU1011-XX	Black, Light Almond, White
lyriQ Flush Mount Single Source Input	AU1004	Black, Light Almond, White
lyriQ airQast Main Source	AU1015	N/A
lyriQ Four Source, 8-Zone Distribution Module	AU1002	N/A
lyriQ Single Source, 4-Zone Distribution Module	AU7396	N/A
lyriQ Triple Source Input	AU7428	N/A
lyriQ Single Source Input	AU7398	N/A
lyriQ Advanced Single Source Distribution Module	AU1014	N/A

COLORS



WIRING DIAGRAM



INSTALLATION AT-A-GLANCE: lyriQ MULTI-SOURCE AUDIO SYSTEM*

1. Run a single Cat 5 cable and speaker wire to each location where a keypad will be installed.
2. Install each keypad in a standard single gang box and connect a pair of speakers to the keypad.
3. Install the multi-source distribution module in the On-Q enclosure and connect it to the keypads.
4. Run a Cat 5 cable from the module to each location where a flush-mount source input will be installed.
5. Install the flush mount inputs in standard single or double gang boxes and connect the Cat 5.
6. Connect the source to the input.

* Please note that this diagram does not represent a high performance lyriQ system. Diagrams for lyriQ High Performance Audio Systems can be found in our Product Catalog.

301 Fulling Mill Road, Suite G
Middletown, PA 17057
(800) 321-2343



www.legrand.us/onq

©2012 by Legrand. All Rights Reserved.