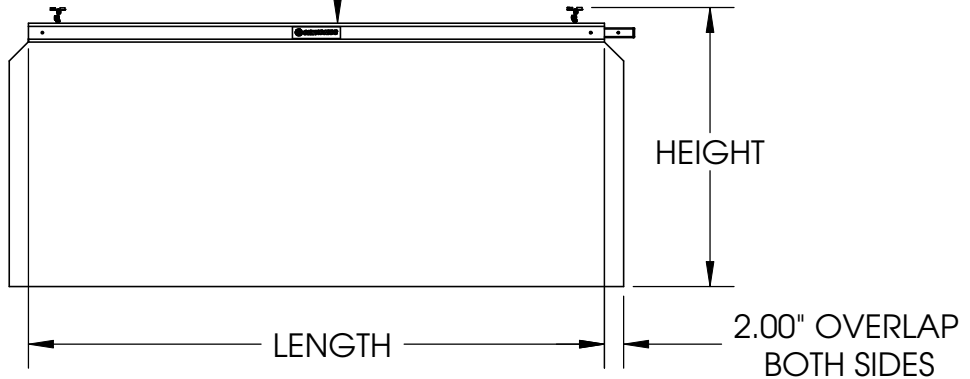


PANEL KIT INCLUDES:
 (1) CLEAR ALUMINUM TRACK (PER LENGTH)
 (1) VINYL CURTAIN (PER HEIGHT)
 (1) JOINING SPLICER
 (2) FIRE LINKS BETWEEN TRACK AND CEILING

(OR-MMACNP29X60
 SHOWN FOR REF.)



PART NUMBER DESIGNATIONS					
ORTRONICS PART #	"XXX" = HEIGHT	"YY" = LENGTH	ORTRONICS PART #	"XXX" = HEIGHT	"YY" = LENGTH
OR-MMACNP29X12	29"	12"	OR-MMACNP110X12	110"	12"
OR-MMACNP29X24	29"	24"	OR-MMACNP110X24	110"	24"
OR-MMACNP29X36	29"	36"	OR-MMACNP110X48	110"	48"
OR-MMACNP29X48	29"	48"	OR-MMACNP122X12	122"	12"
OR-MMACNP29X60	29"	60"	OR-MMACNP122X24	122"	24"
OR-MMACNP29X72	29"	72"	OR-MMACNP122X48	122"	48"
OR-MMACNP56X12	56"	12"	OR-MMACNP146X12	146"	12"
OR-MMACNP56X24	56"	24"	OR-MMACNP146X24	146"	24"
OR-MMACNP56X36	56"	36"	OR-MMACNP146X48	146"	48"
OR-MMACNP56X48	56"	48"	OR-MMACNP182X12	182"	12"
OR-MMACNP56X60	56"	60"	OR-MMACNP182X24	182"	24"
OR-MMACNP56X72	56"	72"	OR-MMACNP182X48	182"	48"
OR-MMACNP98X12	98"	12"			
OR-MMACNP98X24	98"	24"			
OR-MMACNP98X48	98"	48"			

*** NOTICE ***
 THIS DOCUMENT CONTAINS CONFIDENTIAL AND/OR PROPRIETARY INFORMATION INTENDED FOR USE ONLY BY THE INDIVIDUAL(S) PROVIDED. NEITHER THIS DOCUMENT, NOR ANY INFORMATION CONTAINED HEREIN, MAY BE COPIED, DISTRIBUTED, DISCLOSED TO ANY THIRD PARTY OR USED IN ANY MANNER OTHER THAN FOR WHICH IT HAS BEEN PROVIDED, WITHOUT THE PRIOR WRITTEN CONSENT OF ORTRONICS, INC. MANUFACTURING RELEASE, PRODUCT SPECIFICATIONS AND STANDARDS ARE SUBJECT TO CHANGE WITHOUT NOTICE.



125 EUGENE O'NEILL DRIVE
 NEW LONDON, CT 06320
 TEL: 860-445-3800
 FAX: 860-405-2990
 WWW.ORTRONICS.COM

TITLE		MM AIR CURTAIN, VINYL PANEL W/ FUSIBLE LINKS AND SPLICER			
NAME	DATE	SIZE	CAD FILE	DWG NO	REV
DWN	C.VACCA	A	MMACNPXXXYYC	OR-MMACNPXXXYY	00
CHK	J. LUCY	SCALE	WEIGHT	SHEET	
APPR	A.M.	NONE		1 OF 1	