



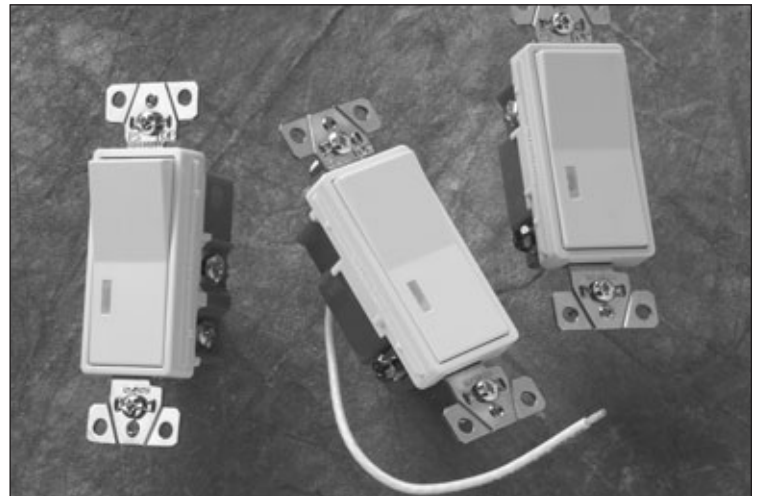
Pass & Seymour

Decorator Devices Construction Grade Switches Illuminated & Pilot Lighted 20A, 120VAC

2625, 2626, 2629

Rugged construction with added convenience and safety.

These rugged switches deliver all the smooth operation and installation ease of our Decorator Construction Grade Switches. And they add a choice of two light options. Lighted toggle switches are illuminated when off for easy location in the dark. Pilot lighted switches are illuminated when on for easy monitoring.



Features & Benefits

Auto-ground on strap speeds up installation and holds mounting screws in position.

Cushioned thermoplastic paddle assures smooth, quiet long-term operation.

Lighted when OFF for illuminated version. Lighted when ON for Pilot Lighted version.

Heavy-gauge steel strap is plated for corrosion resistance

Single rocking butterfly contact design has fewer moving parts — for longer life, and smoother, quieter operation.

Impact-resistant polycarb back body and frame, for structural strength and impact resistance.

Oversized silver alloy contacts integrally formed to the butterfly spring — assures high reliability.

Tri-drive brass terminal screws. Internal screw-pressure-plate back and side wire capability. Common terminal has two back wire holes for more wiring flexibility.



2625-LA

Field Uses/Vertical Markets

- Education
- Institutional
- Retail
- Office
- Hospitality/Lodging
- Multiple Dwelling



Pass & Seymour

Decorator Devices Construction Grade Switches Illuminated & Pilot Lighted 20A, 120VAC

Ordering Information

Catalog Number		Rating		Color
Single Pole	Three-Way	A.	VAC	
Illuminated Decorator Switches (Lighted when OFF) Back & Side Wire				
2625-I	2626-I	20	120	Ivory
2625-W	2626-W	20	120	White
2625-LA	2626-LA	20	120	Light Almond
Pilot Lighted Decorator Switches (Lighted when ON) Back & Side Wire				
2629-I		20	120	Ivory
2629-W		20	120	White
2629-LA		20	120	Light Almond

For more information on these and other P&S products refer to our Product Guide or visit our web site.

Decorator Devices Construction Grade Switches Illuminated & Pilot Lighted 20A, 120VAC



Pass & Seymour

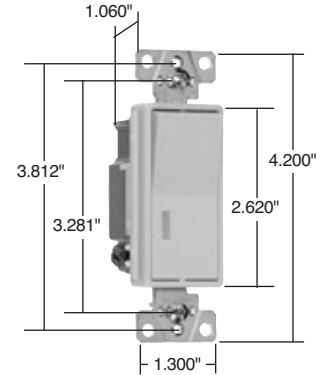
Technical Specifications

3rd Party Compliance

UL Listed, File Number E140597, Standard UL20, General Use Snap Switches.
Federal Specification WS896.
CSA Certified, File Number LR17446, Standard CSA-C22.2 No. 111, General Use Snap Switches.

Performance

Electrical	
Dielectric Withstand Voltage	1500V Minimum
Maximum Working Voltage	277VAC
Overload	Minimum 4.8 times rated current for 100 cycles
Temperature Rise	30°C maximum at rated current
Maximum Continuous Current	277VAC
Endurance	50,000 cycles minimum, resistive, inductive, tungsten filament lamp load (Fed Spec)
Mechanical	
Terminal Accommodations	#14 AWG – #10 AWG
Environmental	
Flammability	UL94 V2
Operating Temperature	Maximum continuous +115°C, minimum -40°C



**Dimensions for
20 Amp Illuminated
and Pilot Lighted**

Materials

Back Body	Polycarbonate	Contacts	Silver Cadmium Oxide
Frame	Polycarbonate	Spring Arm	Brass
Paddle	Thermoplastic	Bumper	Rubber
Terminals	Brass	Spring	Zinc-Plated Steel
Terminal Screws	Tri-Drive Brass-Plated Steel	Ground Terminal	Brass
Strap	Steel	Ground Screw	Tri-Drive Zinc-Plated Steel
Pressure Plate	Steel	Illuminating Lamp	Neon
		Lens	Polycarbonate

Warranty

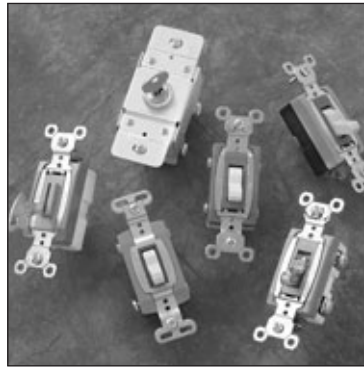
1 Year

Complimentary Devices & Accessories



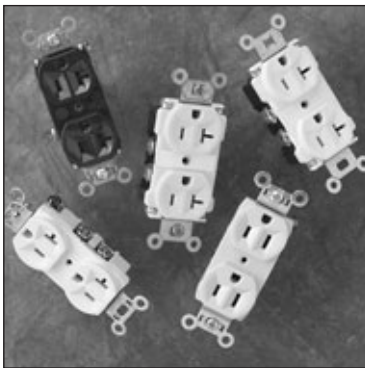
DECORATOR DEVICES

- Construction Grade Switches
- Construction Grade Receptacles
- Commercial Grade Receptacles
- Construction Grade Hallway Lights



SWITCHES

- Heavy-Duty Toggle
- Heavy-Duty Lighted Toggle
- Heavy-Duty Security
- Heavy-Duty Locking
- Construction Grade Toggle
- Commercial Grade Toggle



STRAIGHT BLADE RECEPTACLES

- Extra Heavy-Duty
- Heavy-Duty
- Construction Grade
- Commercial Grade



GFCIs

- Construction Grade with Auto-Ground
- Construction Grade
- Construction Grade Dead Front



WALL PLATES

- TradeMaster® Thermoplastic Nylon
- Stainless Steel
- Brass
- Aluminum
- Dustproof Stainless Steel Covers

Also available...

- Light Almond Devices
- Hospital Grade Devices
- PlugTail™ Devices
- TVSS & Isolated Ground Devices
- Ground Continuity Monitoring (GCM)
- Straight Blade Plugs & Connectors
- Turnlok® Locking Devices
- Weatherproof Boxes & Covers
- IEC 309 Industrial Products
- Flexcor® Wire Mesh Grips
- Configurable Solutions



Legrand/Pass & Seymour
P.O. Box 4822
Syracuse, NY 13221-4822
800-223-4185

North America Headquarters
60 Woodlawn Street
West Hartford, CT 06110
Phone: 1.877.BY.LEGRAND (295.3472)
Fax: 1.860.232.2062
www.legrand.us

Legrand Canada
570 Applewood Crescent
Vaughan, ON, L4K 4B4
Phone: 905.738.9195
Fax: 905.738.9721
www.legrand.ca

SF902R1 — Updated January 2004 — For latest specs visit www.legrand.us/passandseymour