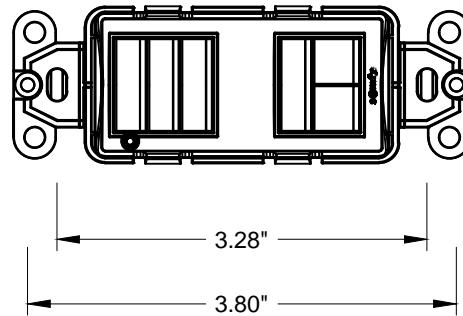
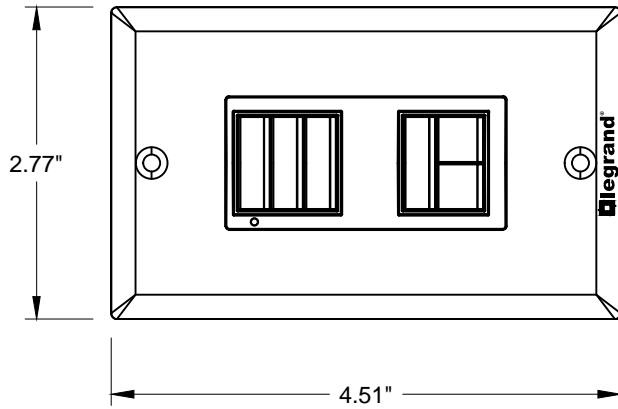
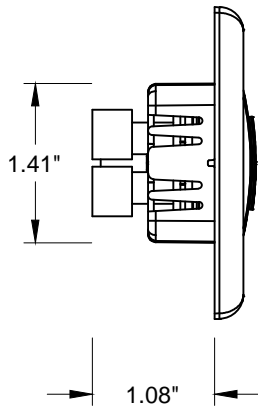
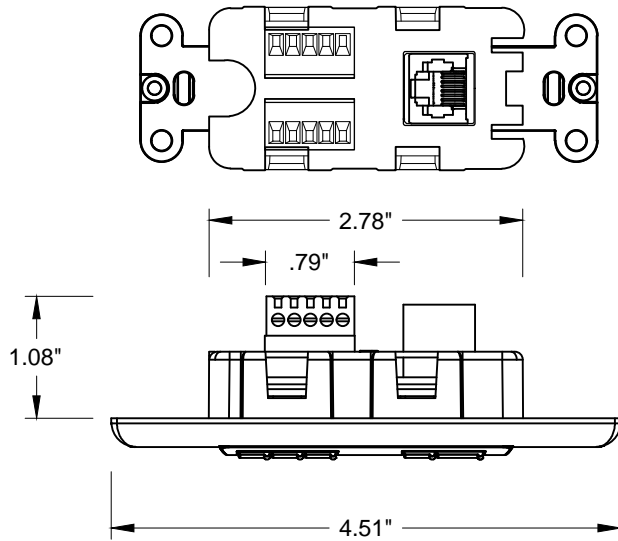


- Solarfactive Digital 6-Button Keypad  
Applicable Part Numbers
- DIGKEY6-W - White
  - DIGKEY6-B - Black
  - DIGKEY6-I - Ivory



USA Phone: 850-208-3417		Solarfactive	
Canada Phone: 416-421-3800		sfsupport@legrand.us	
Title			
Solarfactive Digital 6-Button Keypad SF-DIGKEY6			
Scale	Drawing#	Date	Rev.
None	200-202	06-21-2018	A