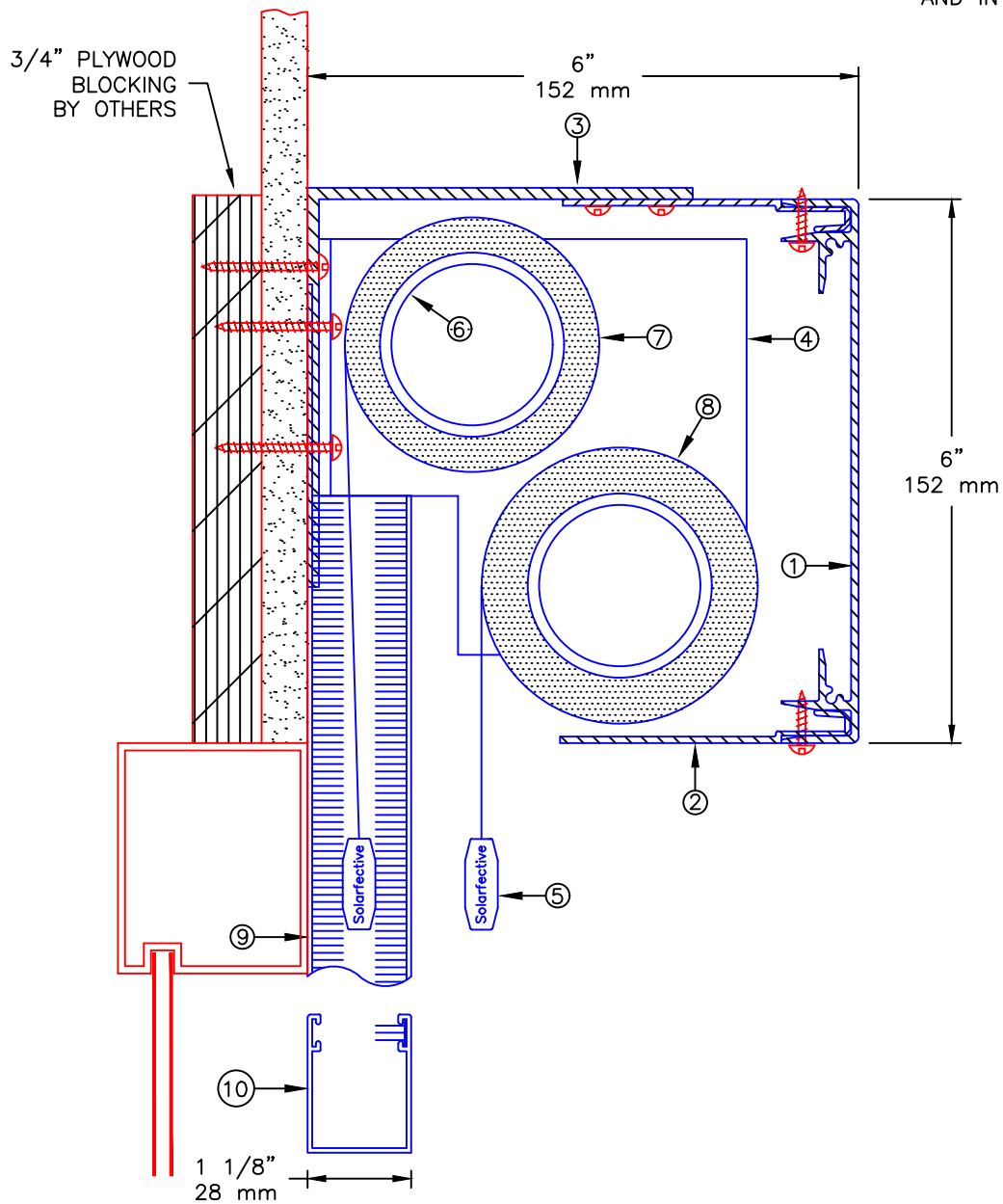


SHADE LIMITED IN WIDTH  
AND IN HEIGHT



**NOTES:**

1. EXTRUDED ALUMINUM 6" FASCIA
2. 4" EXTRUDED ALUMINUM CLOSURE
3. MOUNTING ANGLE
4. END BRACKET
5. EXTRUDED ALUMINUM EXTERIOR HEMBAR
6. 2" Ø EXTRUDED ALUMINUM TUBE
7. FABRIC: 1%, 3%, 5%, 10% OPENNESS OR BLACKOUT
8. FABRIC: 1%, 3%, 5%, 10% OPENNESS OR BLACKOUT
9. MOTORIZED BLACKOUT SIDE CHANNEL
10. MANUAL BLACKOUT BOTTOM CHANNEL

**\*\* NOTE \*\***

JUNCTION BOX TO BE LOCATED WITHIN 3 FT OF MOTOR LOCATION. MOTOR LOCATION TO BE DETERMINED WITH SOLARFECTIVE REPRESENTATIVE.



**SOLARFECTIVE**

USA Phone: 850-208-3417  
Canada Phone: 416-421-3800  
E-mail: sfsupport@legrand.us

DISTRICT DUAL SHADE WITH FACE MOUNT  
6" FASCIA, SIDE AND BOTTOM CHANNELS

PROJECT: —

DATE:  
JAN 1, 2017

SCALE:  
1 : 2

FILE No.  
—

DWG. No.  
RD-7