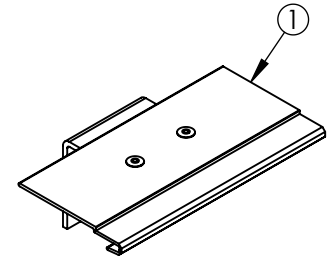
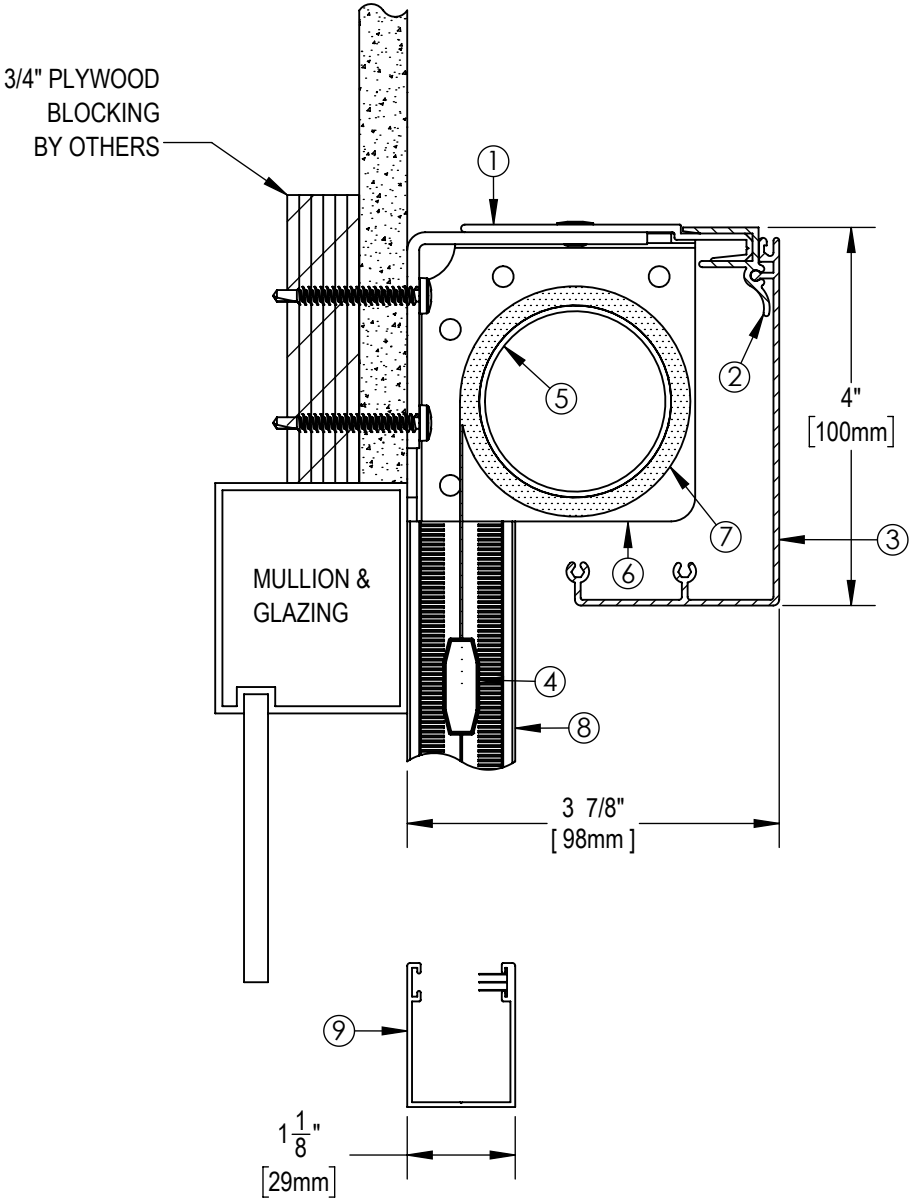


**** NOTE ****

JUNCTION BOX TO BE LOCATED WITHIN 3 FT OF MOTOR LOCATION. MOTOR LOCATION TO BE DETERMINED WITH SOLARFECTIVE REPRESENTATIVE.



ISO VIEW OF MOUNTING ANGLE ONE AT EACH END.

NOTES:

- 1. MOUNTING ANGLE
- 2. SPRING CLIP
- 3. EXTRUDED ALUMINUM FASCIA
- 4. EXTRUDED ALUMINUM EXTERIOR HEMBAR
- 5. 2" Ø EXTRUDED ALUMINUM TUBE
- 6. END BRACKET
- 7. FABRIC: 1%, 3%, 5%, 10% OPENNESS OR BLACKOUT
- 8. MOTORIZED BLACKOUT SIDE CHANNEL
- 9. MANUAL BLACKOUT BOTTOM CHANNEL



SOLARFECTIVE

USA Phone: 850-208-3417
 Canada Phone: 416-421-3800
 E-mail: sfsupport@legrand.us

DISTRICT SHADE 4 WITH FACE MOUNT FASCIA SIDE AND BOTTOM CHANNELS

PROJECT: -			
DATE:	SCALE:	FILE No.	DWG. No.
JUL 9, 2018	1 : 2	QM170167	SF-RD16