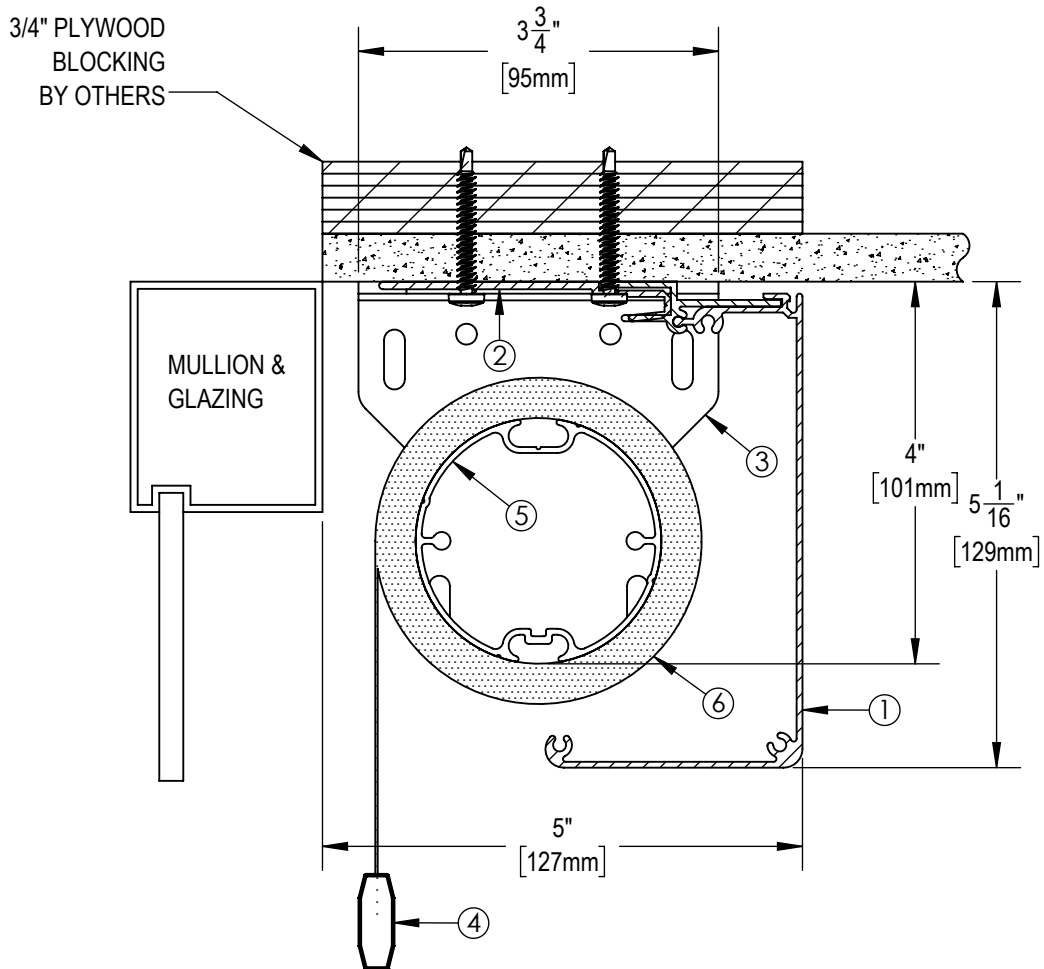


**\*\* NOTE \*\***

JUNCTION BOX TO BE LOCATED WITHIN  
3 FT OF MOTOR LOCATION. MOTOR  
LOCATION TO BE DETERMINED WITH  
SOLARFECTIVE REPRESENTATIVE.



**NOTES:**

1. EXTRUDED ALUMINUM 5" FASCIA
2. MOUNTING ANGLE
3. END BRACKET
4. EXTRUDED ALUMINUM EXTERIOR HEMBAR
5. 2 1/2"  $\varnothing$  EXTRUDED ALUMINUM TUBE
6. FABRIC: 1%, 3%, 5%, 10% OPENNESS OR BLACKOUT



**SOLARFECTIVE**

USA Phone: 850-208-3417  
Canada Phone: 416-421-3800  
E-mail: sfsupport@legrand.us

**DISTRICT SHADE WITH CEILING MOUNT 5" FASCIA**

PROJECT:

-

DATE:

NOV 20, 2017

SCALE:

1 : 2

FILE No.

QM170167

DWG. No.

SF-ES12