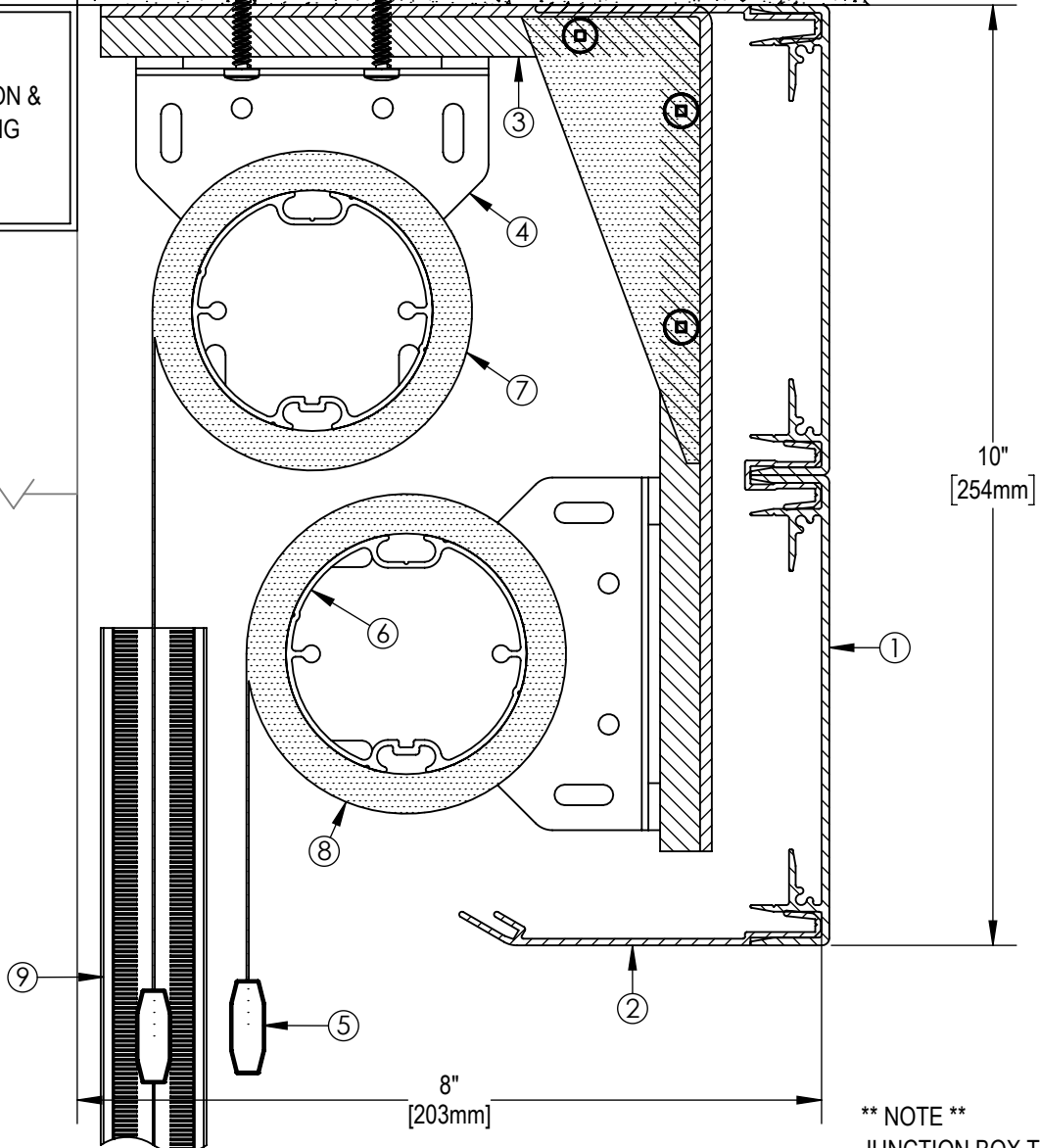


3/4" PLYWOOD  
BLOCKING  
BY OTHERS

MULLION &  
GLAZING



**NOTES:**

1. EXTRUDED ALUMINUM 10" FASCIA
2. 4" EXTRUDED ALUMINUM CLOSURE
3. ALUMINUM RACEWAY
4. END BRACKET
5. EXTRUDED ALUMINUM EXTERIOR HEMBAR
6. 2 1/2"  $\phi$  EXTRUDED ALUMINUM TUBE
7. FABRIC: 1%, 3%, 5%, 10% OPENNESS OR BLACKOUT
8. FABRIC: 1%, 3%, 5%, 10% OPENNESS OR BLACKOUT
9. MOTORIZED BLACKOUT SIDE CHANNEL
10. MANUAL BLACKOUT BOTTOM CHANNEL

**\*\* NOTE \*\***

JUNCTION BOX TO BE LOCATED WITHIN 3 FT OF MOTOR LOCATION. MOTOR LOCATION TO BE DETERMINED WITH SOLARFECTIVE REPRESENTATIVE.



**SOLARFECTIVE**

USA Phone: 850-208-3417  
Canada Phone: 416-421-3800  
E-mail: sfsupport@legrand.us

**DISTRICT SHADE 5 DUAL SYSTEM WITH FASCIA,  
RACEWAY, SIDE AND BOTTOM CHANNELS**

PROJECT:

DATE:

JUL 9, 2018

SCALE:

1 : 2

FILE No.

QM170167

DWG. No.

SF-RD22