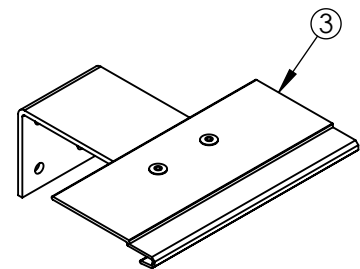
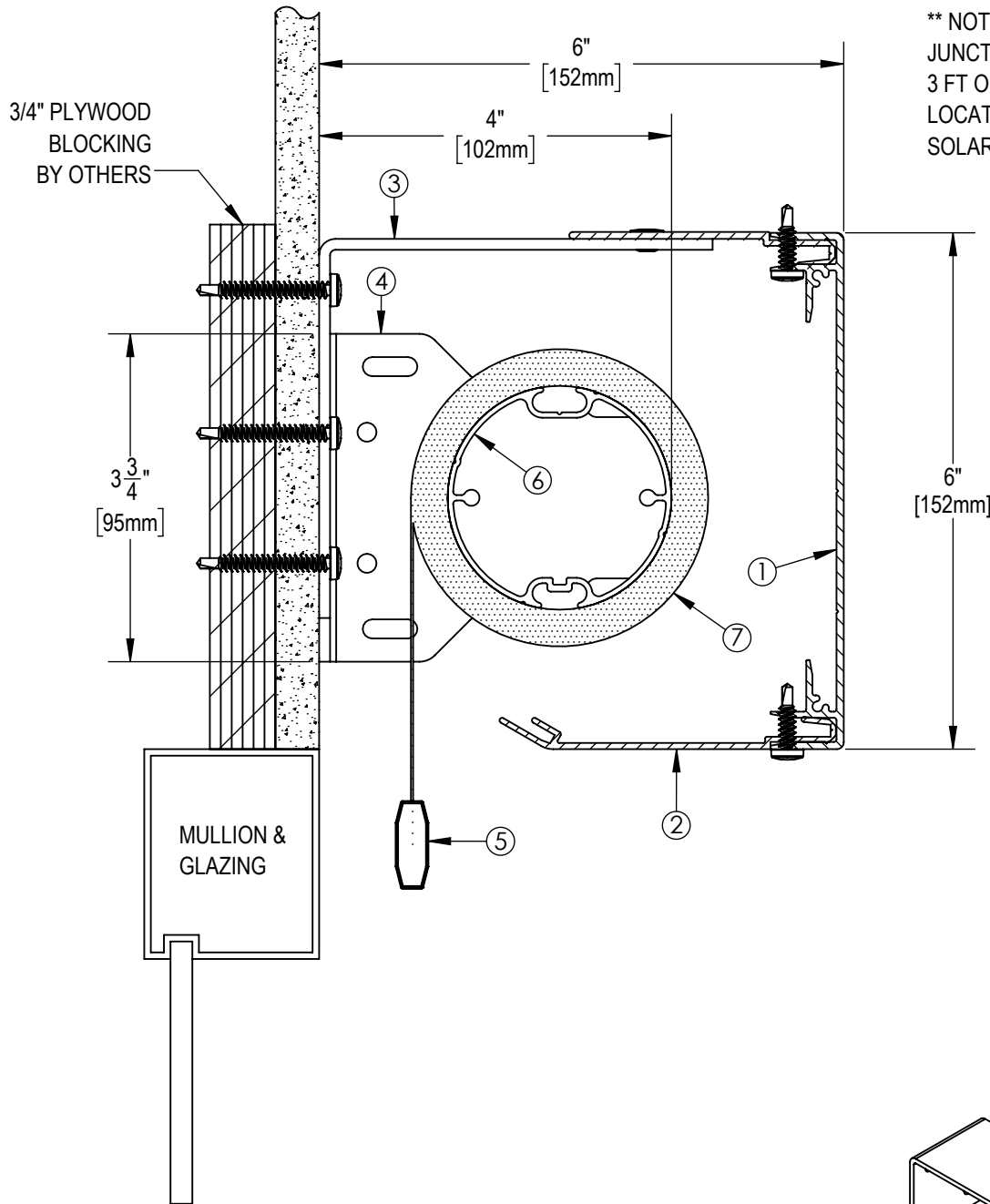


**** NOTE ****

JUNCTION BOX TO BE LOCATED WITHIN 3 FT OF MOTOR LOCATION. MOTOR LOCATION TO BE DETERMINED WITH SOLARFECTIVE REPRESENTATIVE.



ISO VIEW OF MOUNTING ANGLE
ONE AT EACH END.

NOTES:

1. EXTRUDED ALUMINUM 6" FASCIA
2. 4" EXTRUDED ALUMINUM CLOSURE
3. MOUNTING ANGLE
4. END BRACKET
5. EXTRUDED ALUMINUM EXTERIOR HEMBAR
6. 2 1/2" OR 3 1/2" Ø EXTRUDED ALUMINUM TUBE
7. FABRIC: 1%, 3%, 5%, 10% OPENNESS OR BLACKOUT



SOLARFECTIVE

USA Phone: 850-208-3417
Canada Phone: 416-421-3800
E-mail: sfsupport@legrand.us

DISTRICT SHADE 6 WITH FACE MOUNT FASCIA

PROJECT:

-

DATE:

JUL 9, 2018

SCALE:

1 : 2

FILE No.

QM170167

DWG. No.

SF-ES1