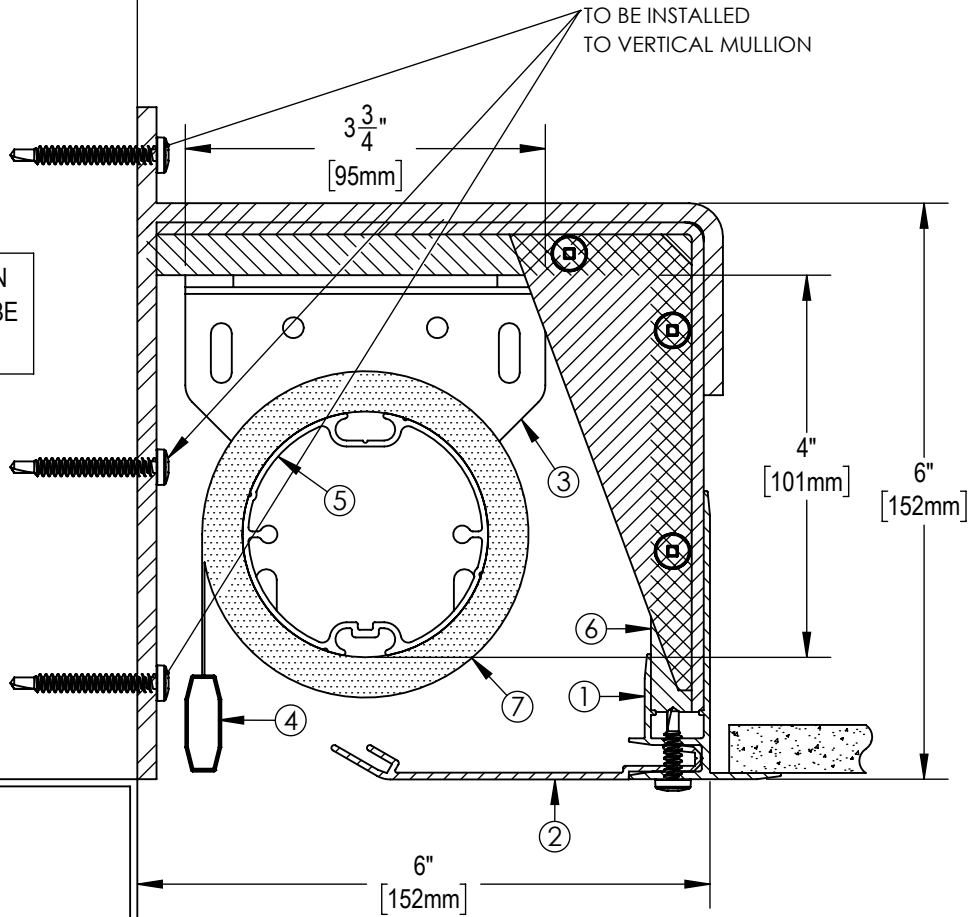
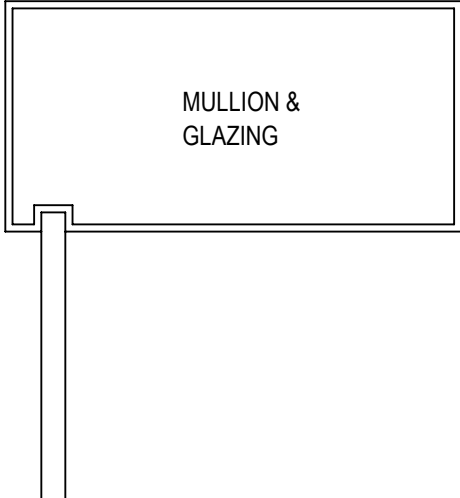


IF NO VERTICAL MULLION
EXIST BLOCKING MUST BE
ADDED BY OTHERS



EXTRUDED ALUMINUM HANGER NOT FOR
SUPPORTING THE WEIGHT OF THE CEILING

NOTES:

1. EXTRUDED ALUMINUM HANGER
2. 4" EXTRUDED ALUMINUM CLOSURE
3. END BRACKET
4. EXTRUDED ALUMINUM EXTERIOR HEMBAR
5. 2 1/2" OR 3 1/2" Ø EXTRUDED ALUMINUM TUBE
6. ALUMINUM RACEWAY
7. FABRIC: 1%, 3%, 5%, 10% OPENNESS OR BLACKOUT

**** NOTE ****
JUNCTION BOX TO BE LOCATED WITHIN
3 FT OF MOTOR LOCATION. MOTOR
LOCATION TO BE DETERMINED WITH
SOLARFECTIVE REPRESENTATIVE.



SOLARFECTIVE

USA Phone: 850-208-3417
Canada Phone: 416-421-3800
E-mail: sfsupport@legrand.us

**DISTRICT SHADE 6 WITH
RACEWAY POCKET SYSTEM**

PROJECT: -			
DATE: JUL 9, 2018	SCALE: 1 : 2	FILE No. QM170167	DWG. No. SF-ES3A