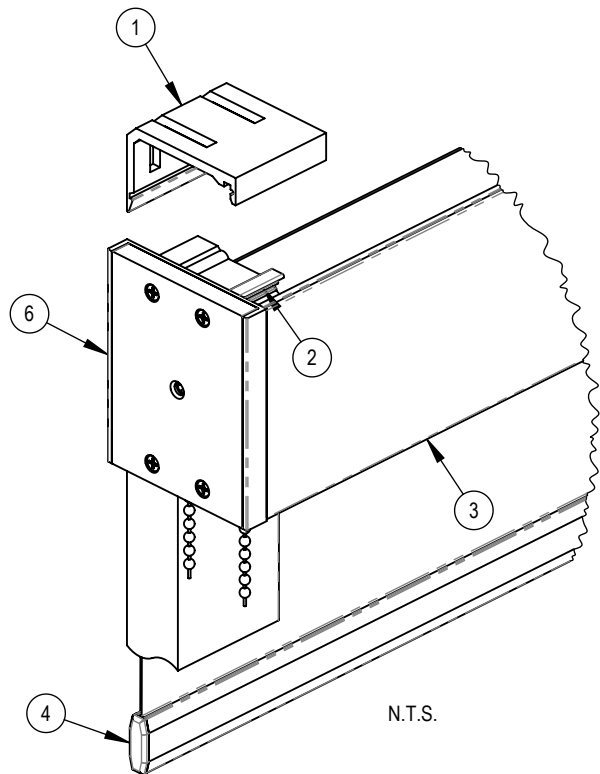
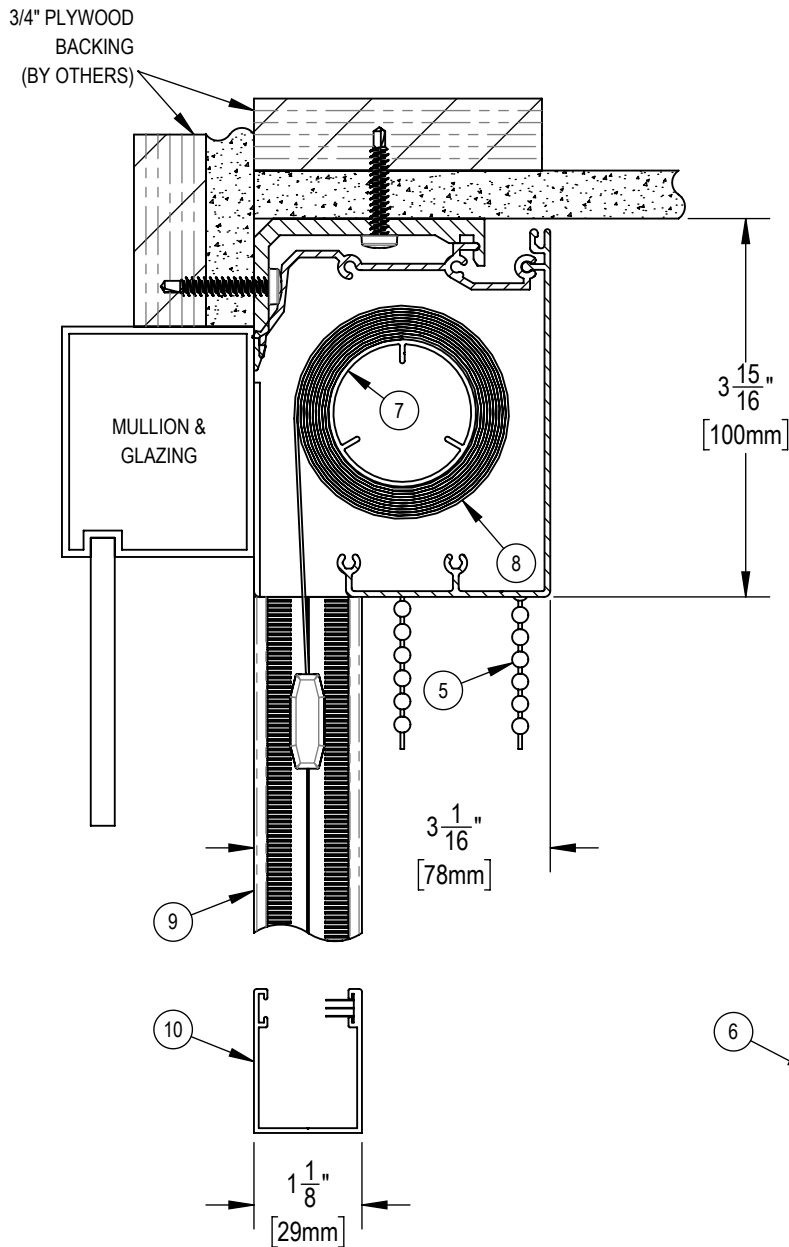


THE TELESHADE CAN BE MOUNTED TO THE CEILING OR TO THE WALL ABOVE THE MULLION



**NOTES:**

1. MOUNTING ANGLE
2. SPRING CLIP
3. EXTRUDED ALUMINUM FASCIA
4. EXTRUDED ALUMINUM EXTERIOR HEMBAR
5. STAINLESS STEEL BALL CHAIN
6. ABS END BRACKETS
7. 1 1/2" Ø EXTRUDED ALUMINUM TUBE
8. FABRIC: 1%, 3%, 5%, 10% OPENNESS OR BLACKOUT
9. MANUAL BLACKOUT SIDE CHANNELS
10. MANUAL BLACKOUT BOTTOM CHANNELS



**SOLARFECTIVE**

USA Phone: 850-208-3417  
 Canada Phone: 416-421-3800  
 E-mail: sfsupport@legrand.us

**TELESHADE 4 MANUAL CASSETTE SYSTEM WITH SIDE AND BOTTOM CHANNELS**

PROJECT: -

DATE: MAR 18, 2018

SCALE: 1:2

FILE No. -

DWG. No. SF-RD1