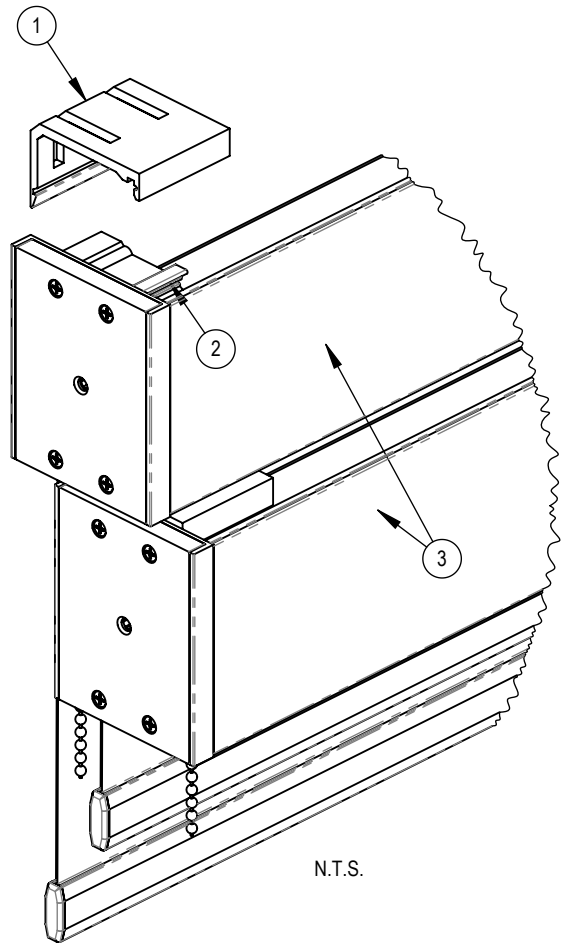
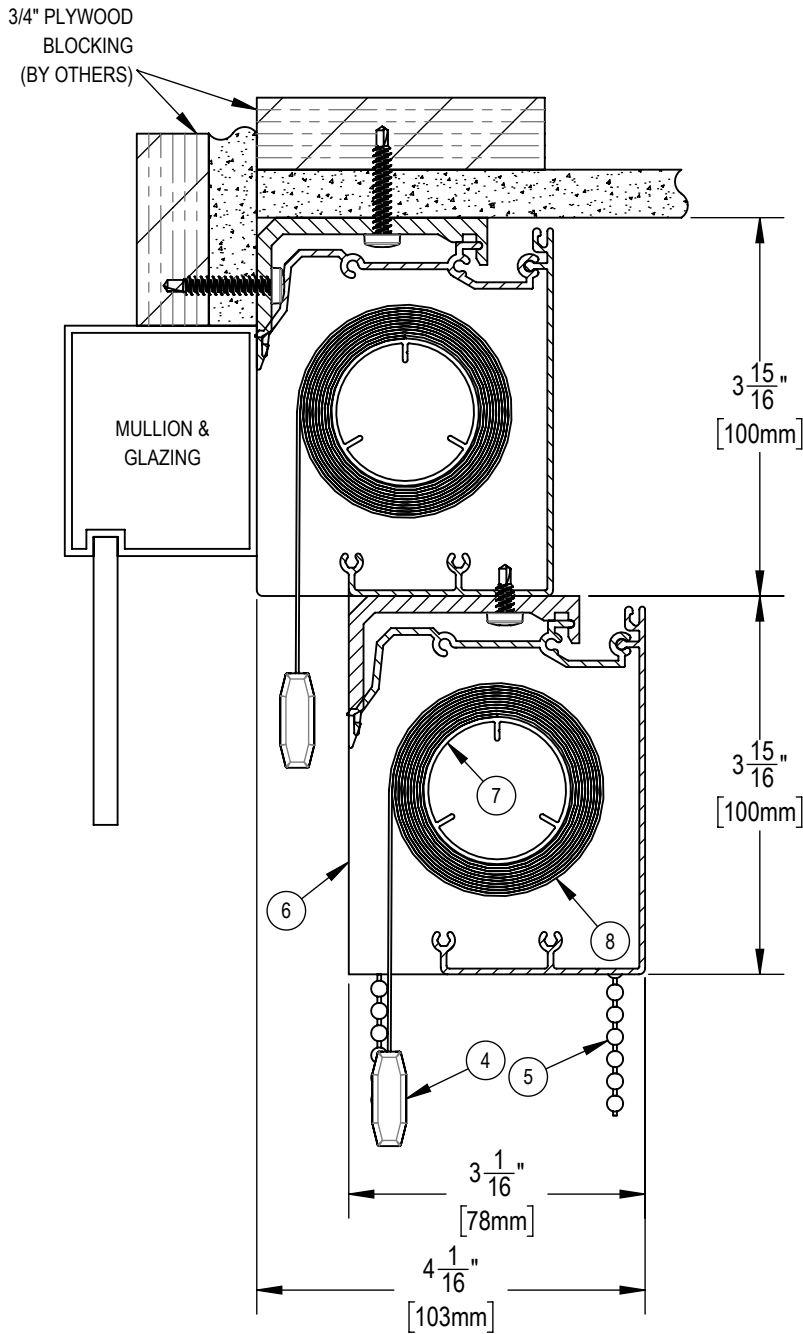


THE TELESHADE CAN BE MOUNTED TO THE CEILING OR TO THE WALL ABOVE THE MULLION



**NOTES:**

1. MOUNTING ANGLE
2. SPRING CLIP
3. EXTRUDED ALUMINUM FASCIA
4. EXTRUDED ALUMINUM EXTERIOR HEMBAR
5. STAINLESS STEEL BALL CHAIN (UPPER SHADE RIGHT CHAIN, LOWER SHADE LEFT CHAIN)
6. ABS END BRACKETS
7. 1 1/2"  $\phi$  EXTRUDED ALUMINUM TUBE
8. FABRIC: 1%, 3%, 5%, 10% OPENNESS OR BLACKOUT



**SOLARFECTIVE**

USA Phone: 850-208-3417  
 Canada Phone: 416-421-3800  
 E-mail: sfsupport@legrand.us

**TELESHADE 4 DUAL MANUAL STEPPED CASSETTE SYSTEM**

PROJECT:

DATE:

MAR 18, 2018

SCALE:

1:2

FILE No.

-

DWG. No.

SF-T11