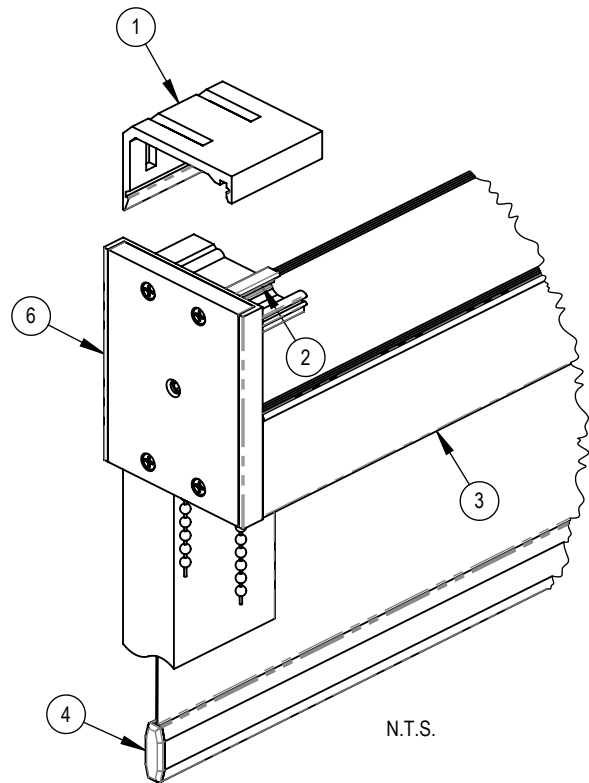
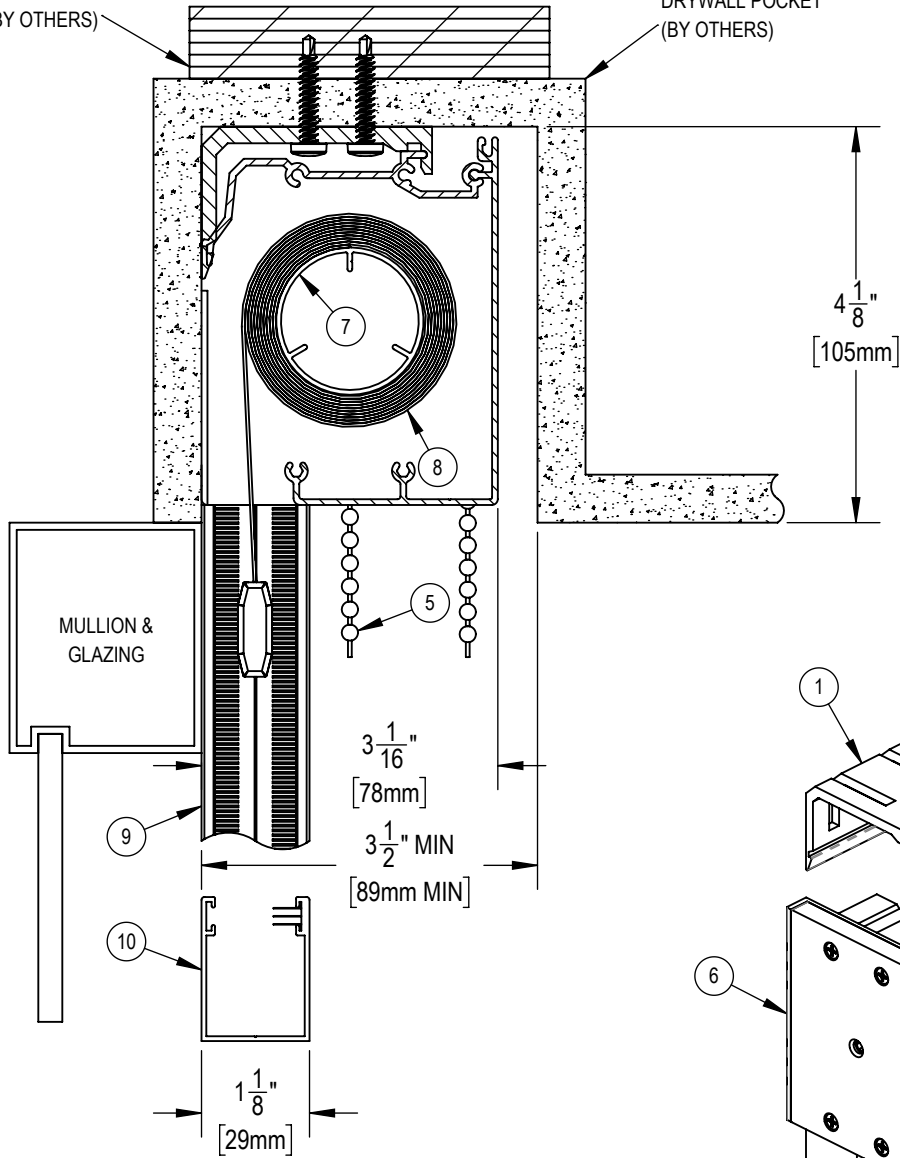


3/4" PLYWOOD
BLOCKING
(BY OTHERS)

DRYWALL POCKET
(BY OTHERS)



NOTES:

1. MOUNTING ANGLE
2. SPRING CLIP
3. EXTRUDED ALUMINUM FASCIA
4. EXTRUDED ALUMINUM EXTERIOR HEMBAR
5. STAINLESS STEEL BALL CHAIN
6. ABS END BRACKETS
7. 1 1/2" Ø EXTRUDED ALUMINUM TUBE
8. FABRIC: 1%, 3%, 5%, 10% OPENNESS OR BLACKOUT
9. MANUAL BLACKOUT SIDE CHANNELS
10. MANUAL BLACKOUT BOTTOM CHANNEL



SOLARFECTIVE

USA Phone: 850-208-3417
Canada Phone: 416-421-3800
E-mail: sfsupport@legrand.us

**TELESHADE 4 MANUAL CASSETTE SYSTEM
IN POCKET WITH SIDE AND BOTTOM CHANNELS**

PROJECT:

DATE:

MAR 18, 2018

SCALE:

1:2

FILE No.

-

DWG. No.

SF-RD3