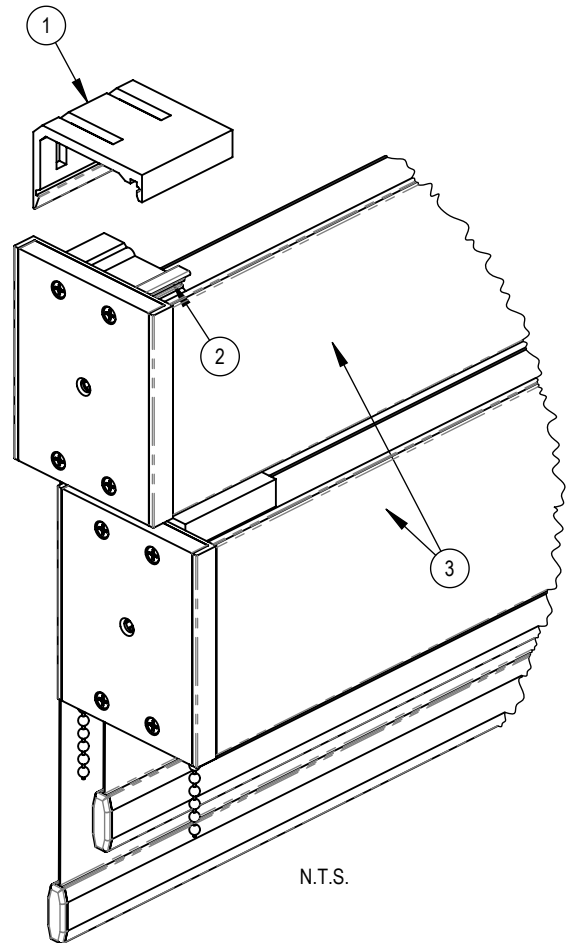
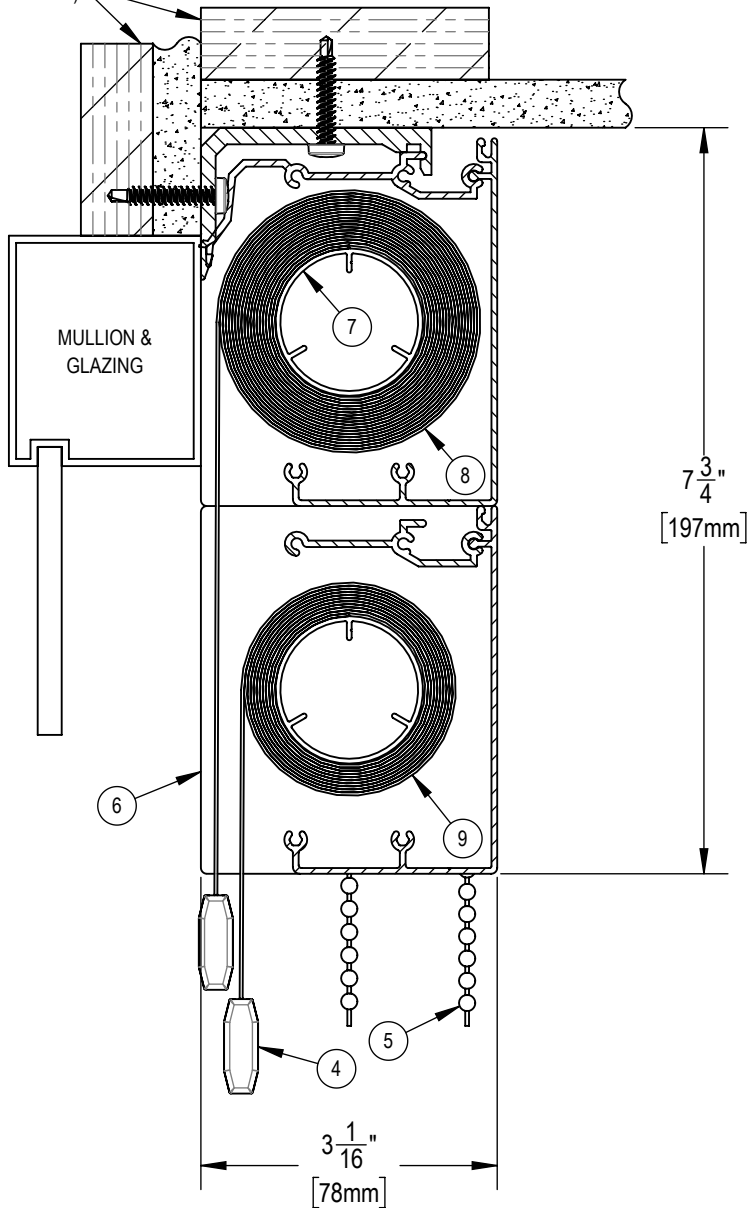


3/4" PLYWOOD  
BLOCKING  
(BY OTHERS)

FOR INSTALLATION INSTRUCTIONS  
SEE DRAWING: INST-1

THE TELESHADE CAN BE MOUNTED  
TO THE CEILING OR TO THE  
WALL ABOVE THE MULLION



**NOTES:**

1. MOUNTING ANGLE
2. SPRING CLIP
3. EXTRUDED ALUMINUM FASCIA
4. EXTRUDED ALUMINUM EXTERIOR HEMBAR
5. STAINLESS STEEL BALL CHAIN -- UPPER SHADE RIGHT CHAIN, LOWER SHADE LEFT CHAIN
6. ABS END BRACKETS
7. 1 1/2" Ø EXTRUDED ALUMINUM TUBE
8. FABRIC: 1%, 3%, 5%, 10% OPENNESS -- STANDARD DEFAULT UPPER
9. FABRIC: BLACKOUT (CHANNELS NOT OPTIONAL) -- STANDARD DEFAULT LOWER



**SOLARFECTIVE**

USA Phone: 850-208-3417  
Canada Phone: 416-421-3800  
E-mail: sfsupport@legrand.us

**TELESHADE 4 DUAL MANUAL CASSETTE SYSTEM  
VERTICAL MOUNT**

PROJECT:

DATE:

MAR 18, 2018

SCALE:

1:2

FILE No.

-

DWG. No.

SF-T13