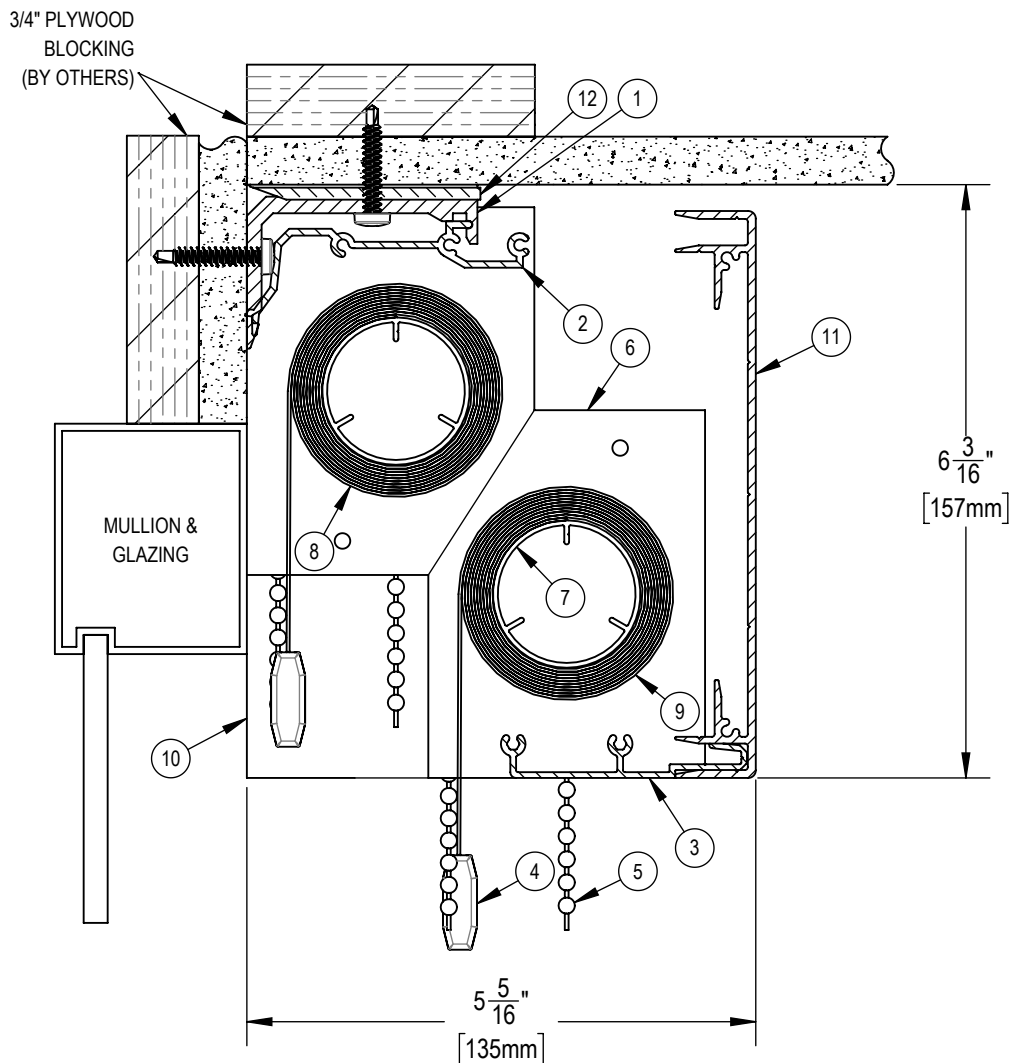


THE TELESHADE CAN BE MOUNTED TO THE CEILING OR TO THE WALL ABOVE THE MULLION



NOTES:

1. MOUNTING ANGLE
2. SPRING CLIP
3. EXTRUDED ALUMINUM TELECLOSURE
4. EXTRUDED ALUMINUM EXTERIOR HEMBAR
5. STAINLESS STEEL BALL CHAIN -- UPPER SHADE RIGHT CHAIN, LOWER SHADE LEFT CHAIN
6. ABS END BRACKETS
7. 1 1/2" \varnothing EXTRUDED ALUMINUM TUBE
8. FABRIC: 1%, 3%, 5%, 10% OPENNESS OR BLACKOUT
9. FABRIC: 1%, 3%, 5%, 10% OPENNESS OR BLACKOUT
10. ALUMINUM END PLATE
11. EXTRUDED ALUMINUM 6" FASCIA
12. 1/8" SHIM



SOLARFECTIVE

USA Phone: 850-208-3417
 Canada Phone: 416-421-3800
 E-mail: sfsupport@legrand.us

TELESHADE 4 DUAL MANUAL CASSETTE SYSTEM

PROJECT:

DATE:

MAR 18, 2018

SCALE:

1:2

FILE No.

-

DWG. No.

SF-T9