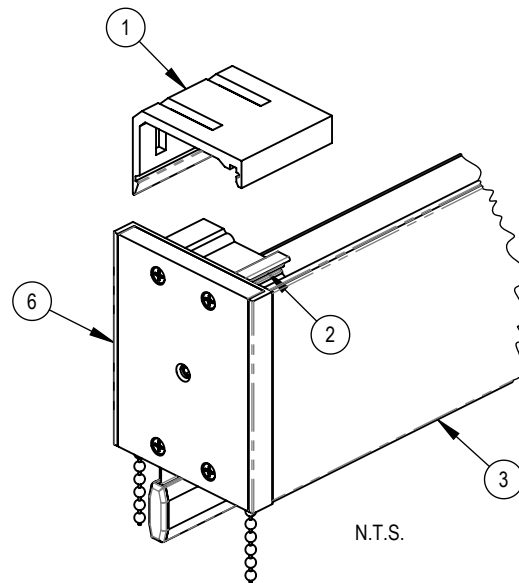
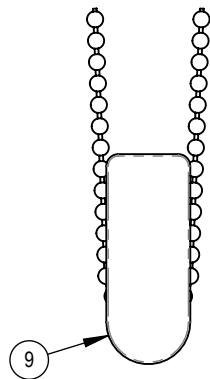
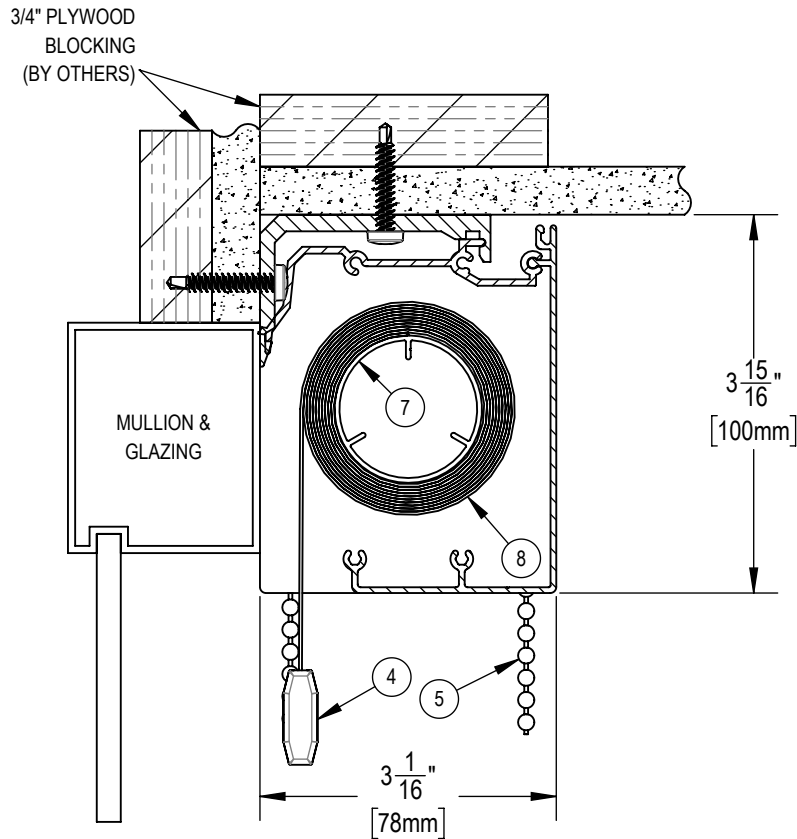


THE TELESHADE CAN BE MOUNTED TO THE CEILING OR TO THE WALL ABOVE THE MULLION



NOTES:

- 1. MOUNTING ANGLE
- 2. SPRING CLIP
- 3. EXTRUDED ALUMINUM FASCIA
- 4. EXTRUDED ALUMINUM EXTERIOR HEMBAR
- 5. STAINLESS STEEL BALL CHAIN
- 6. ABS END BRACKETS
- 7. 1 1/2" Ø EXTRUDED ALUMINUM TUBE
- 8. FABRIC: 1%, 3%, 5%, 10% OPENNESS OR BLACKOUT
- 9. CHAIN RETAINER



SOLARFECTIVE

USA Phone: 850-208-3417
 Canada Phone: 416-421-3800
 E-mail: sfsupport@legrand.us

TELESHADE 4 MANUAL CASSETTE SYSTEM WITH CHAIN RETAINER

PROJECT: -

DATE: MAR 18, 2018

SCALE: 1:2

FILE No. -

DWG. No. SF-T12