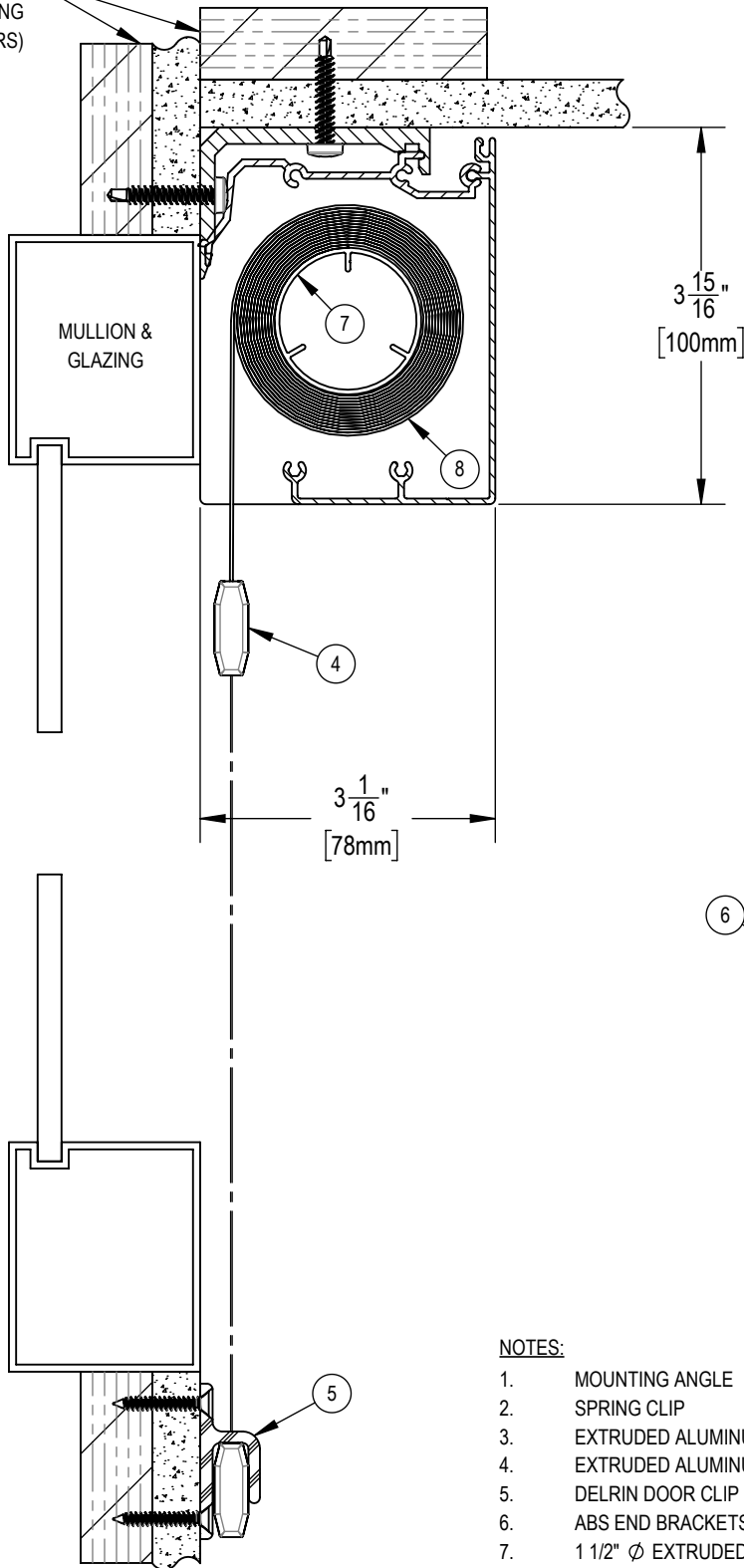
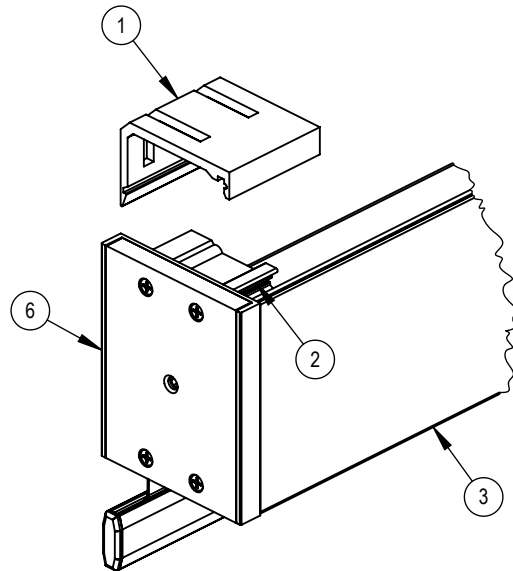


3/4" PLYWOOD
BLOCKING
(BY OTHERS)



THE TELESHADE CAN BE MOUNTED
TO THE CEILING OR TO THE
WALL ABOVE THE MULLION



NOTES:

1. MOUNTING ANGLE
2. SPRING CLIP
3. EXTRUDED ALUMINUM FASCIA
4. EXTRUDED ALUMINUM EXTERIOR HEMBAR
5. DELRIN DOOR CLIP ON EACH SIDE OF SHADE
6. ABS END BRACKETS
7. 1 1/2" Ø EXTRUDED ALUMINUM TUBE
8. FABRIC: 1%, 3%, 5%, 10% OPENNESS OR BLACKOUT



SOLARFECTIVE

USA Phone: 850-208-3417
Canada Phone: 416-421-3800
E-mail: sfsupport@legrand.us

**TELESHADE 4 MANUAL CASSETTE SYSTEM
WITH SPRING LOADED DOOR SHADE**

PROJECT: -

DATE: MAR 18, 2018

SCALE: 1:2

FILE No. -

DWG. No. SF-T3