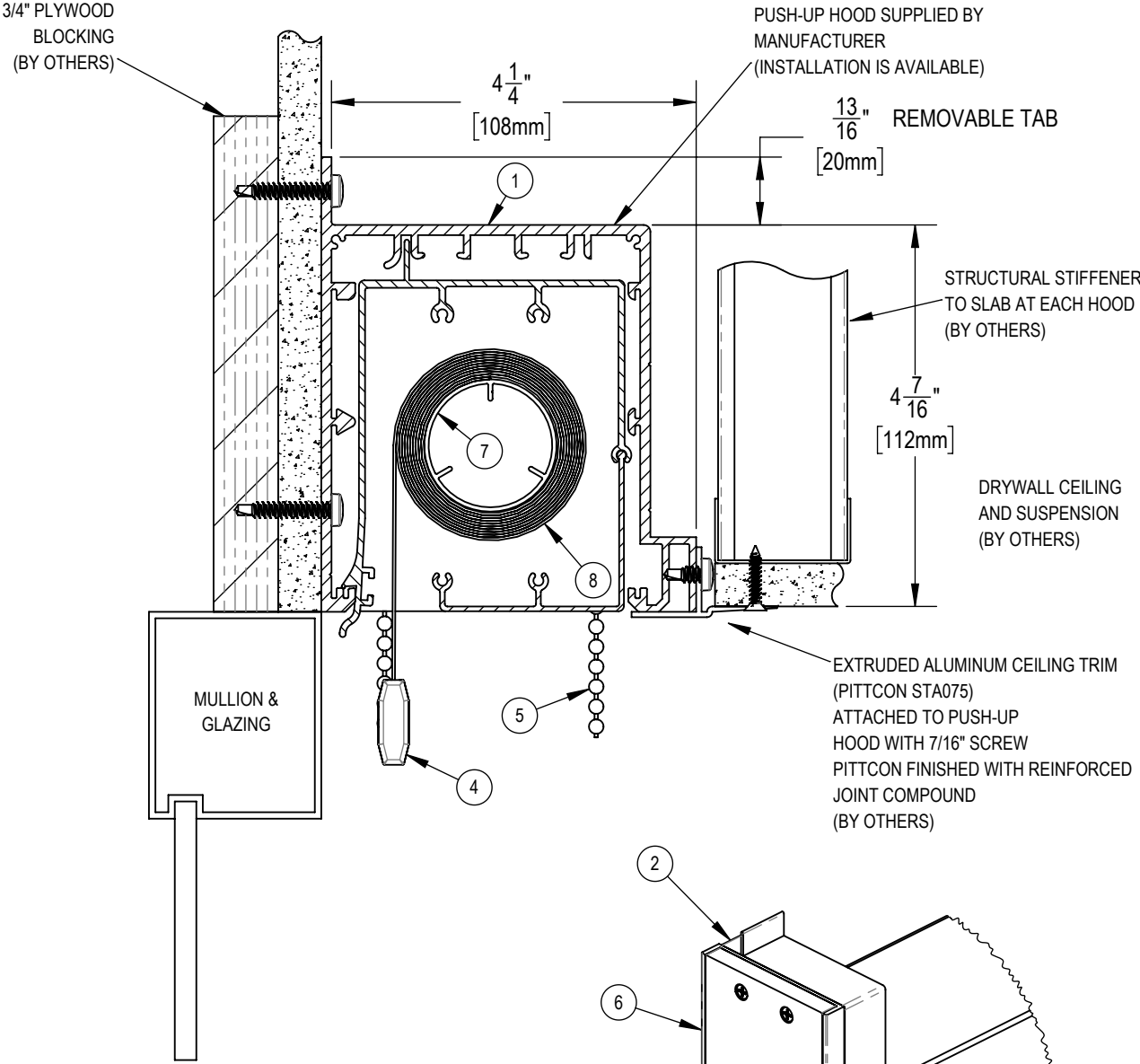
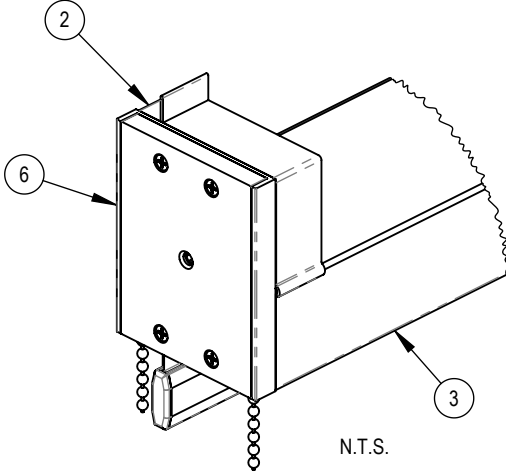


PUSH-UP HOOD CAN BE ADAPTED TO ANY CEILING TYPE WHEN SAMPLE OF CEILING SYSTEM SUPPLIED



**NOTES:**

- 1. 3" WIDE EXTRUDED ALUMINUM PUSH-UP HOOD AT EACH END OF SHADE (NOT CONTINUOUS)
- 2. 1" WIDE PUSH-UP CLIP
- 3. EXTRUDED ALUMINUM HALF FASCIA
- 4. EXTRUDED ALUMINUM EXTERIOR HEMBAR
- 5. STAINLESS STEEL BALL CHAIN
- 6. ABS END BRACKET (3 1/16" X 3 13/16")
- 7. 1 1/2" Ø EXTRUDED ALUMINUM TUBE
- 8. FABRIC: 1%, 3%, 5%, 10% OPENNESS OR BLACKOUT



**NOTE:**  
ITEM 1 REMOVED IN THIS VIEW FOR CLARITY

NB.\*HOODS REQUIRE SUPPORT GIVEN BY THE T-BAR ATTACHMENT



**SOLARFECTIVE**

USA Phone: 850-208-3417  
Canada Phone: 416-421-3800  
E-mail: sfsupport@legrand.us

**TELESHADE 4 MANUAL VENTED POCKET SYSTEM A**

PROJECT: -			
DATE: MAR 18, 2018	SCALE: 1:2	FILE No. -	DWG. No. SF-T4A