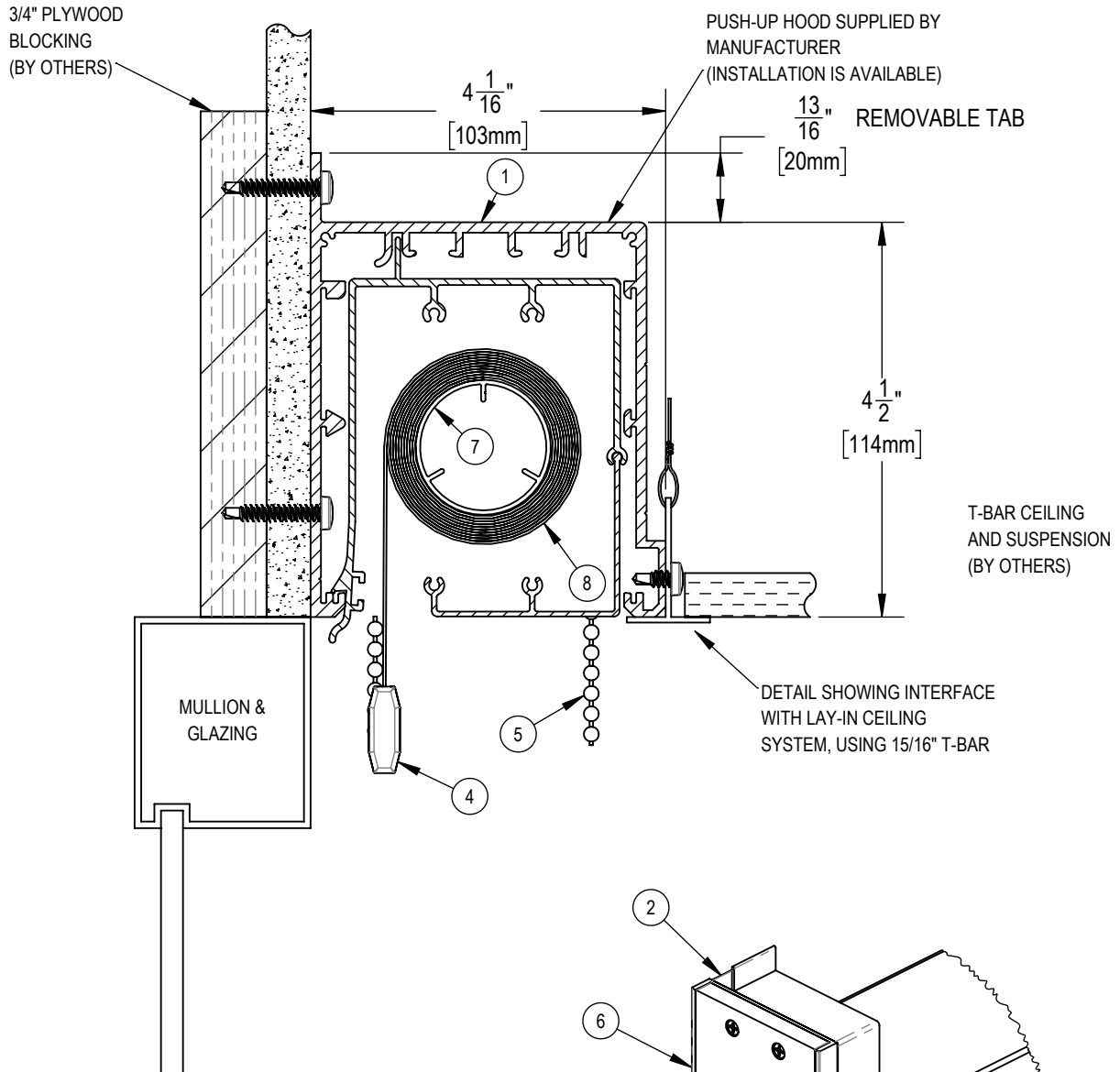
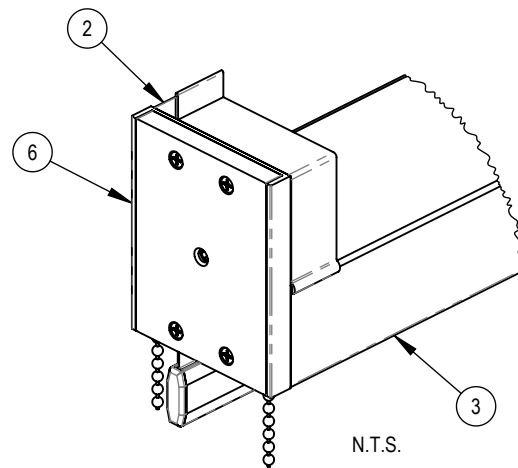


PUSH-UP HOOD CAN BE ADAPTED TO ANY CEILING TYPE WHEN SAMPLE OF CEILING SYSTEM SUPPLIED



NOTES:

1. 3" WIDE EXTRUDED ALUMINUM PUSH-UP HOOD AT EACH END OF SHADE (NOT CONTINUOUS)
2. 1" WIDE PUSH-UP CLIP
3. EXTRUDED ALUMINUM HALF FASCIA
4. EXTRUDED ALUMINUM EXTERIOR HEMBAR
5. STAINLESS STEEL BALL CHAIN
6. ABS END BRACKET (3 1/16" X 3 13/16")
7. 1 1/2" Ø EXTRUDED ALUMINUM TUBE
8. FABRIC: 1%, 3%, 5%, 10% OPENNESS OR BLACKOUT



NOTE:
ITEM 1 REMOVED IN THIS VIEW FOR CLARITY

NB.*HOODS REQUIRE SUPPORT GIVEN BY THE T-BAR ATTACHMENT



SOLARFECTIVE

USA Phone: 850-208-3417
Canada Phone: 416-421-3800
E-mail: sfsupport@legrand.us

TELESHADE 4 MANUAL VENTED POCKET SYSTEM B

PROJECT:

DATE:

MAR 18, 2018

SCALE:

1:2

FILE No.

-

DWG. No.

SF-T4B