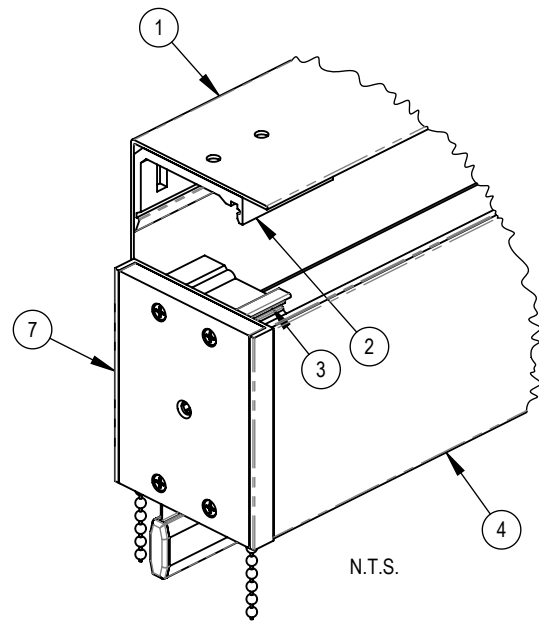
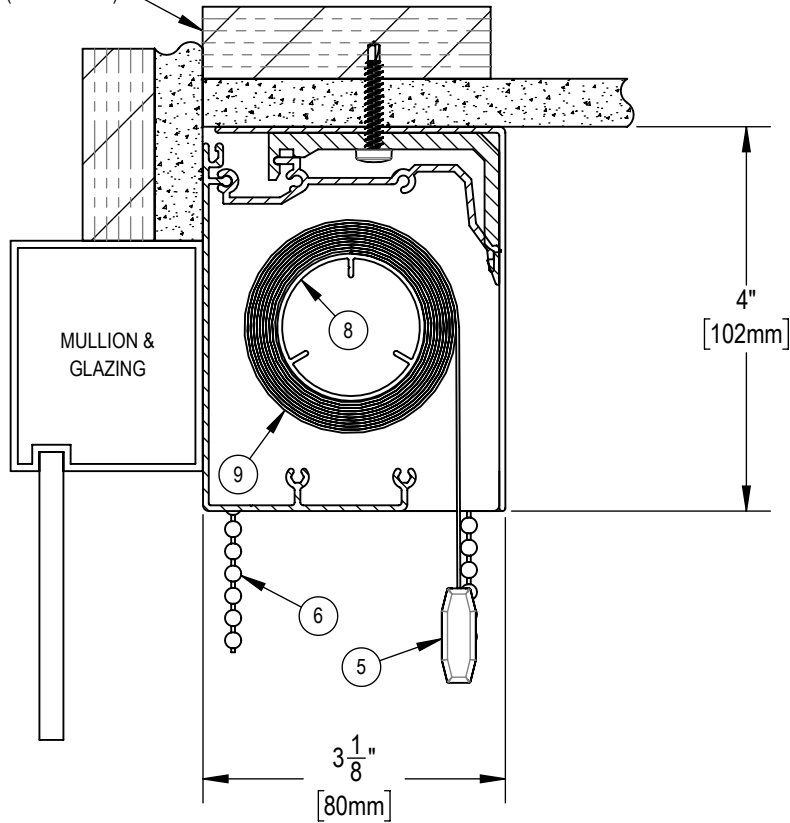


3/4" PLYWOOD
BLOCKING
(BY OTHERS)



NOTES:

1. EXTRUDED ALUMINUM BACK FASCIA
2. MOUNTING ANGLE
3. SPRING CLIP
4. EXTRUDED ALUMINUM FASCIA
5. EXTRUDED ALUMINUM EXTERIOR HEMBAR
6. STAINLESS STEEL BALL CHAIN
7. ABS END BRACKETS
8. 1 1/2" Ø EXTRUDED ALUMINUM TUBE
9. FABRIC: 1%, 3%, 5%, 10% OPENNESS OR BLACKOUT



SOLARFECTIVE

USA Phone: 850-208-3417
Canada Phone: 416-421-3800
E-mail: sfsupport@legrand.us

**TELESHADE 4 REVERSE ROLL MANUAL
CASSETTE SYSTEM WITH BACK FASCIA**

PROJECT: -

DATE: MAR 18, 2018

SCALE: 1:2

FILE No. -

DWG. No. SF-T2A