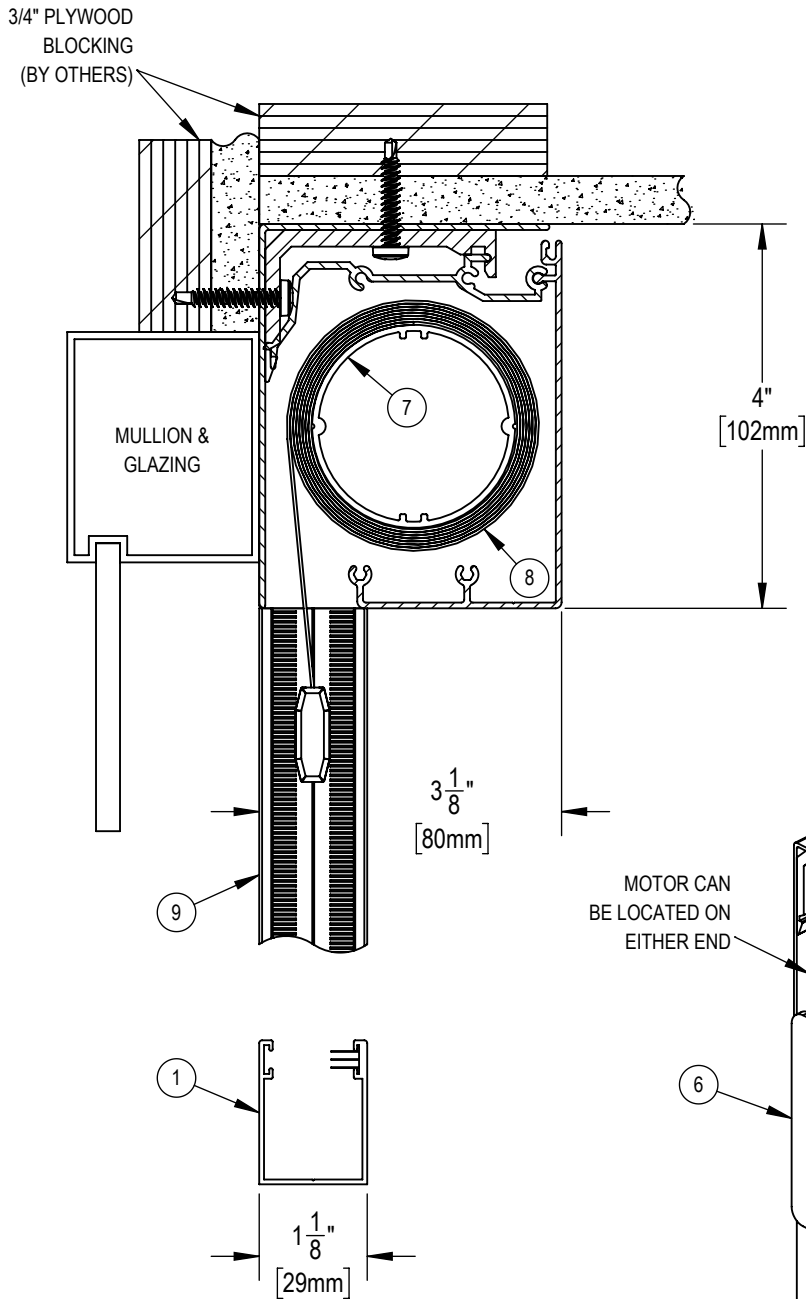
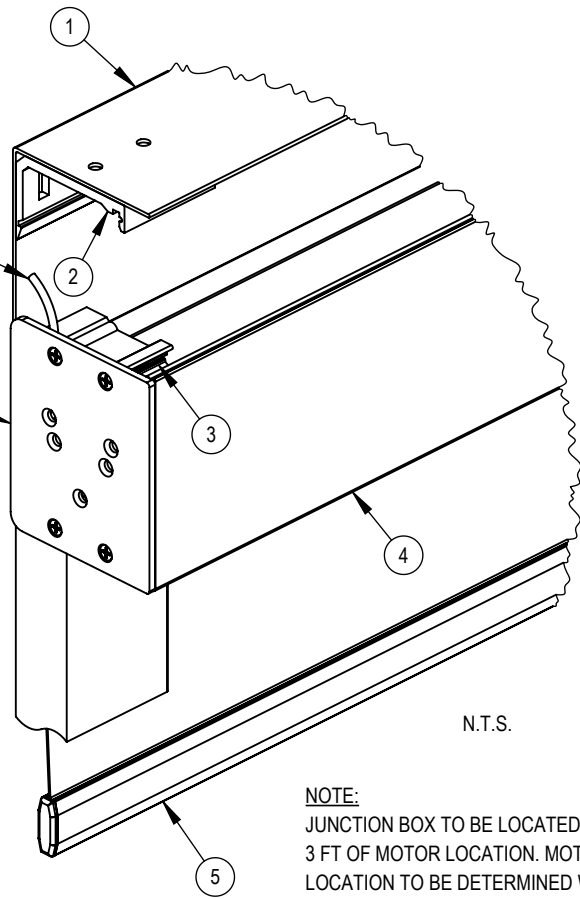


THE TELESHADE CAN BE MOUNTED TO THE CEILING OR TO THE WALL ABOVE THE MULLION



MOTOR CAN BE LOCATED ON EITHER END



N.T.S.

NOTE:
JUNCTION BOX TO BE LOCATED WITHIN 3 FT OF MOTOR LOCATION. MOTOR LOCATION TO BE DETERMINED WITH LEGRAND REPRESENTATIVE.

NOTES:

1. EXTRUDED ALUMINUM BACK FASCIA
2. MOUNTING ANGLE
3. SPRING CLIP
4. EXTRUDED ALUMINUM FASCIA
5. EXTRUDED ALUMINUM EXTERIOR HEMBAR
6. ABS END BRACKETS
7. 2" Ø EXTRUDED ALUMINUM TUBE
8. FABRIC: 1%, 3%, 5%, 10% OPENNESS OR BLACKOUT
9. MOTORIZED BLACKOUT SIDE CHANNELS
10. MOTORIZED BLACKOUT BOTTOM CHANNEL



SOLARFECTIVE

USA Phone: 850-208-3417
Canada Phone: 416-421-3800
E-mail: sfsupport@legrand.us

TELESHADE 4 AUTOMATED CASSETTE SYSTEM WITH BACK FASCIA, SIDE AND BOTTOM CHANNELS

PROJECT:			
DATE:	SCALE:	FILE No.	DWG. No.
MAR 18, 2018	1:2	-	SF-RD5