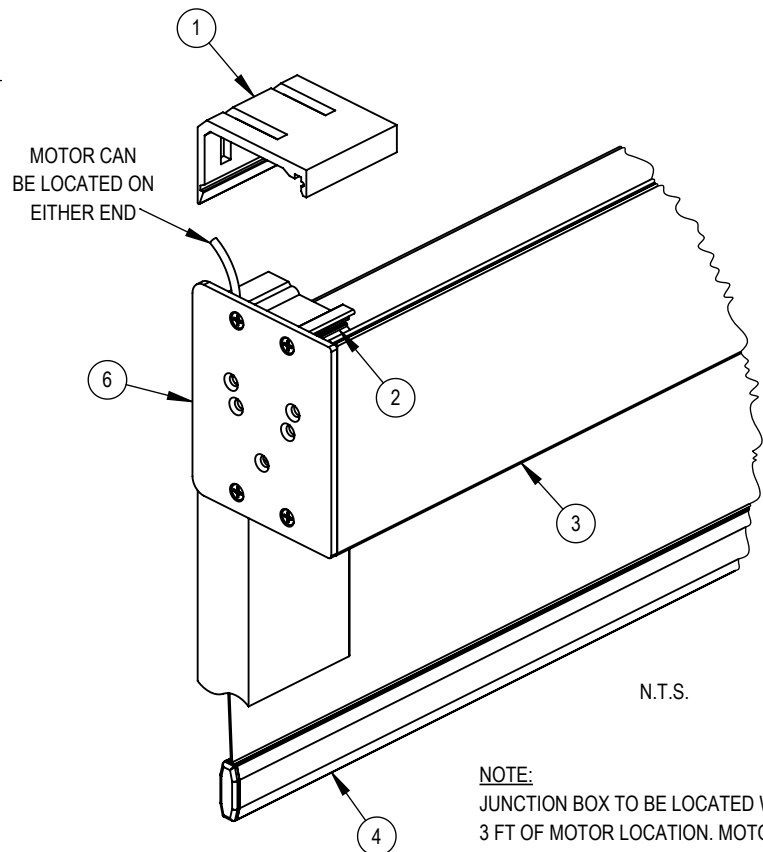
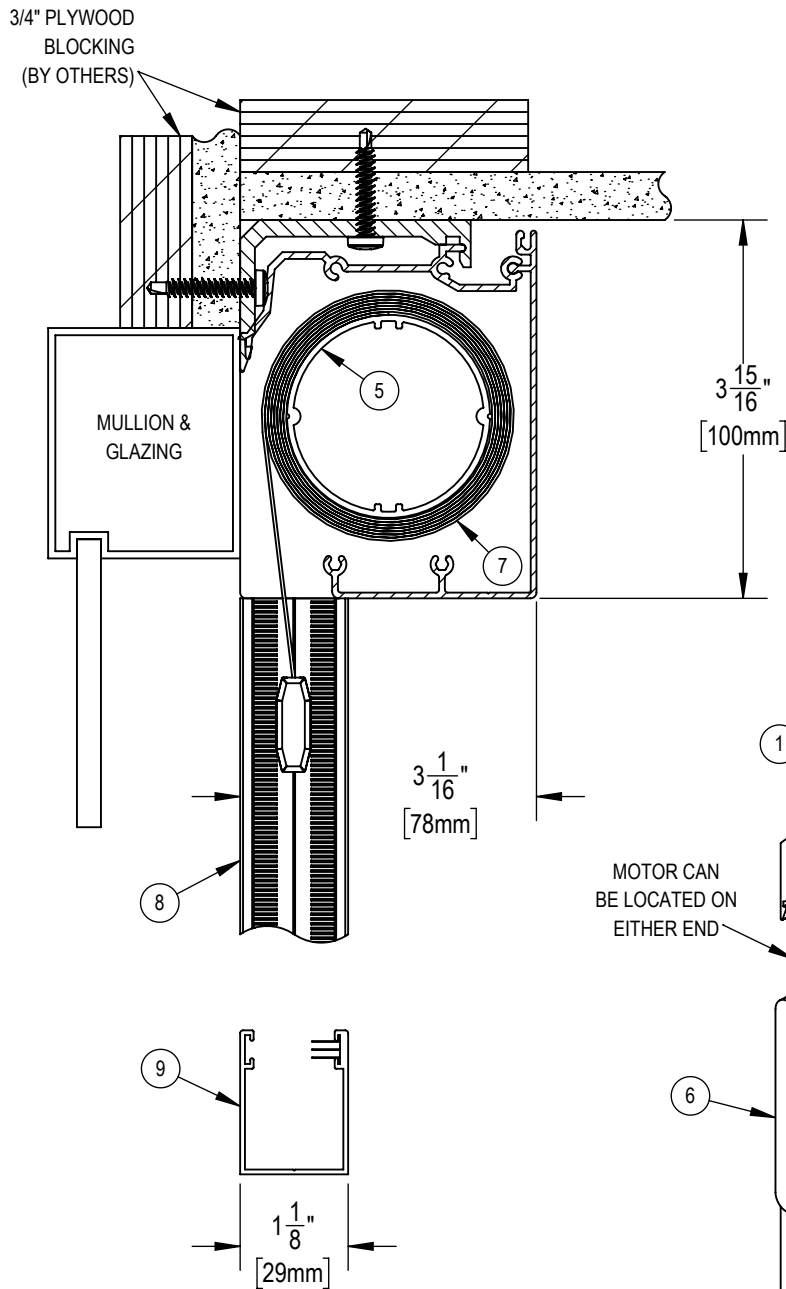


THE TELESHADE CAN BE MOUNTED TO THE CEILING OR TO THE WALL ABOVE THE MULLION



NOTES:

1. MOUNTING ANGLE
2. SPRING CLIP
3. EXTRUDED ALUMINUM FASCIA
4. EXTRUDED ALUMINUM EXTERIOR HEMBAR
5. 2" ϕ EXTRUDED ALUMINUM TUBE
6. ALUMINUM END BRACKETS
7. FABRIC: 1%, 3%, 5%, 10% OPENNESS OR BLACKOUT
8. MOTORIZED BLACKOUT SIDE CHANNELS
9. MOTORIZED BLACKOUT BOTTOM CHANNEL

NOTE:
JUNCTION BOX TO BE LOCATED WITHIN 3 FT OF MOTOR LOCATION. MOTOR LOCATION TO BE DETERMINED WITH LEGRAND REPRESENTATIVE.



SOLARFECTIVE

USA Phone: 850-208-3417
Canada Phone: 416-421-3800
E-mail: sfsupport@legrand.us

TELESHADE 4 AUTOMATED CASSETTE SYSTEM WITH SIDE AND BOTTOM CHANNELS

PROJECT: -

DATE: MAR 18, 2018

SCALE: 1:2

FILE No. -

DWG. No. SF-RD4