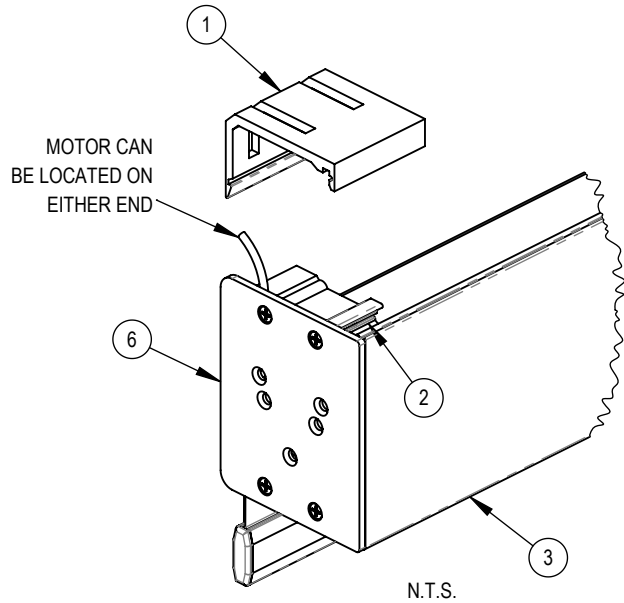
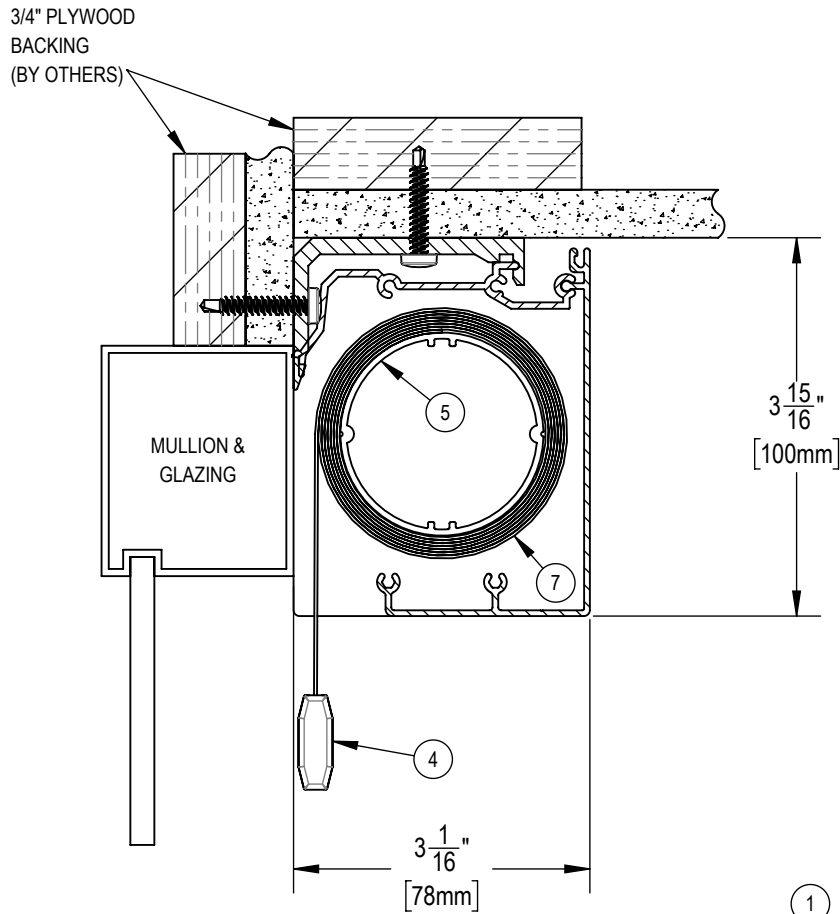


THE TELESHADE CAN BE MOUNTED TO THE CEILING OR TO THE FACE OF THE MULLION



**NOTES:**

- 1. MOUNTING ANGLE
- 2. SPRING CLIP
- 3. EXTRUDED ALUMINUM FASCIA
- 4. EXTRUDED ALUMINUM EXTERIOR HEMBAR
- 5. 2"  $\phi$  EXTRUDED ALUMINUM TUBE
- 6. ALUMINUM END BRACKETS
- 7. FABRIC: 1%, 3%, 5%, 10% OPENNESS OR BLACKOUT



**SOLARFECTIVE**

USA Phone: 850-208-3417  
 Canada Phone: 416-421-3800  
 E-mail: sfsupport@legrand.us

**TELESHADE 4 AUTOMATED CASSETTE SYSTEM**

PROJECT: -

DATE: MAR 18, 2018

SCALE: 1:2

FILE No. -

DWG. No. SF-T7M