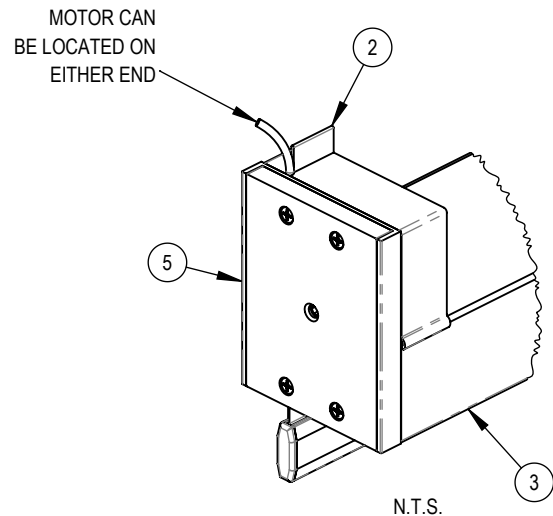
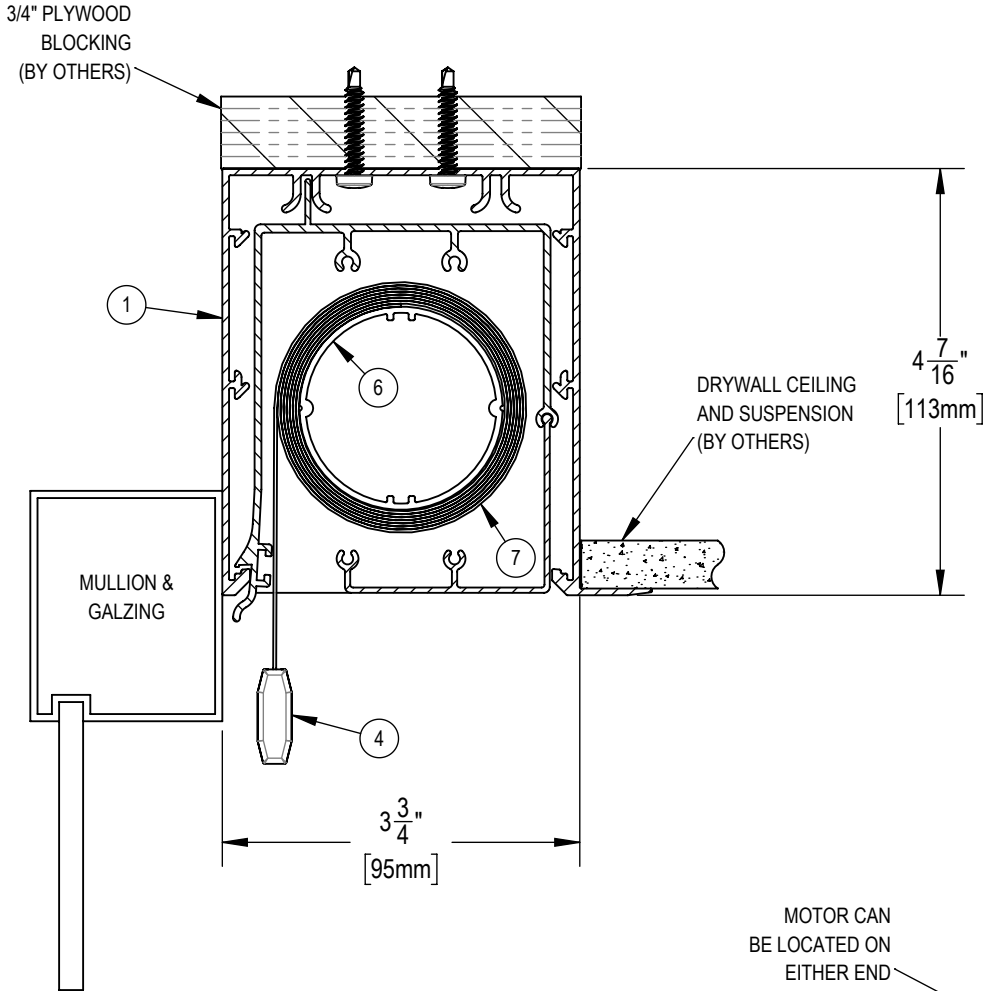


CONTINUOUS TELE POCKET CAN BE ADAPTED TO ANY CEILING TYPE WHEN SAMPLE OF CEILING SYSTEM SUPPLIED



NOTE:  
ITEM 1 REMOVED IN THIS VIEW FOR CLARITY

**NOTES:**

1. CONTINUOUS ALUMINUM TELE POCKET SYSTEM
2. 1" WIDE PUSH UP CLIP
3. EXTRUDED ALUMINUM HALF FASCIA
4. EXTRUDED ALUMINUM EXTERIOR HEMBAR
5. ABS END BRACKET (3 1/16" X 3 13/16")
6. 2" Ø EXTRUDED ALUMINUM TUBE
7. FABRIC: 1%, 3%, 5%, 10% OPENNESS OR BLACKOUT



**SOLARFECTIVE**

USA Phone: 850-208-3417  
Canada Phone: 416-421-3800  
E-mail: sfsupport@legrand.us

**TELESHADE 4 AUTOMATED  
STANDARD POCKET SYSTEM**

PROJECT: -

DATE: MAR 18, 2018

SCALE: 1:2

FILE No. -

DWG. No. SF-T17M