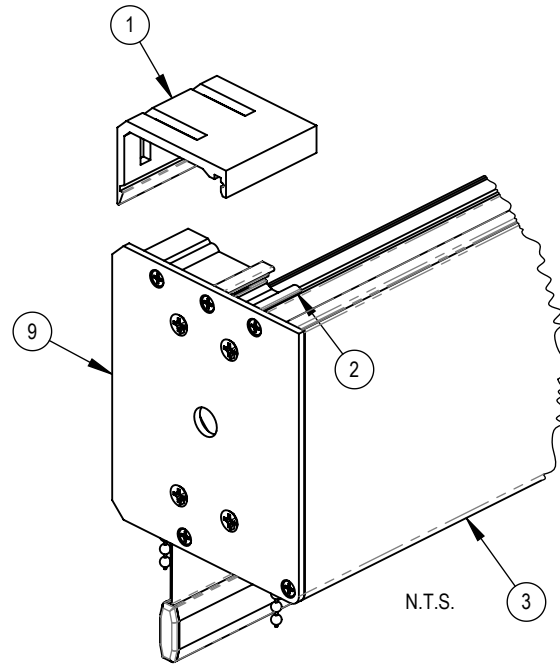
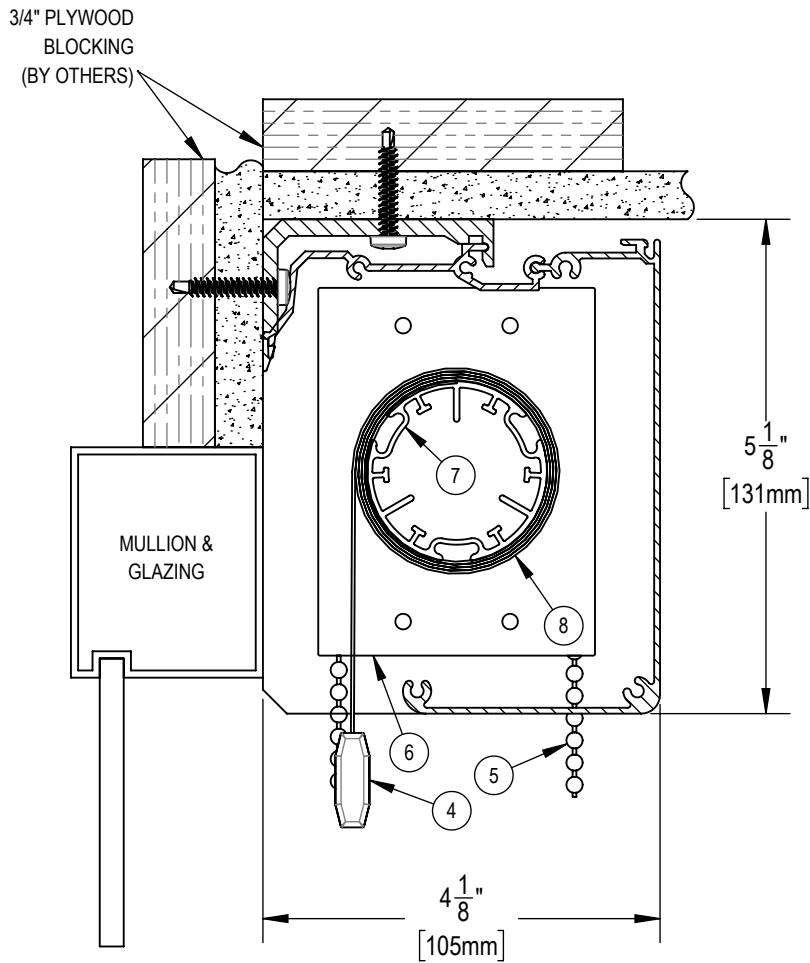


THE TELESHADE CAN BE MOUNTED TO THE CEILING OR TO THE WALL ABOVE THE MULLION



NOTES:

1. MOUNTING ANGLE
2. 2" WIDE SPRING CLIP
3. EXTRUDED ALUMINUM 5" FASCIA
4. EXTRUDED ALUMINUM EXTERIOR HEMBAR
5. STAINLESS STEEL BALL CHAIN
6. END BRACKETS
7. 1 7/8" Ø EXTRUDED ALUMINUM TUBE
8. FABRIC: 1%, 3%, 5%, 10% OPENNESS OR BLACKOUT
9. ALUMINUM END PLATE



SOLARFECTIVE

USA Phone: 850-208-3417
 Canada Phone: 416-421-3800
 E-mail: sfsupport@legrand.us

TELESHADE 5 MANUAL CASSETTE SYSTEM

PROJECT:

DATE:

MAR 18, 2018

SCALE:

1:2

FILE No.

-

DWG. No.

SF-T10