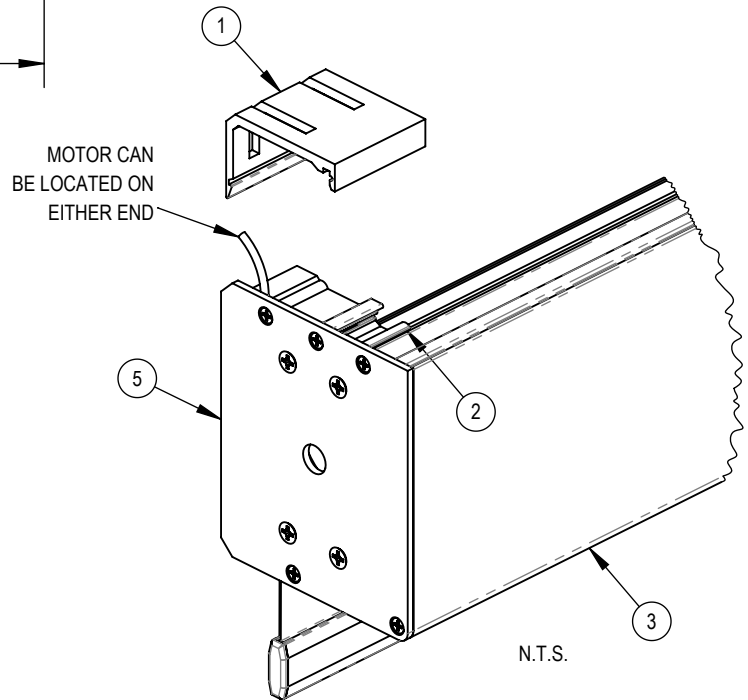
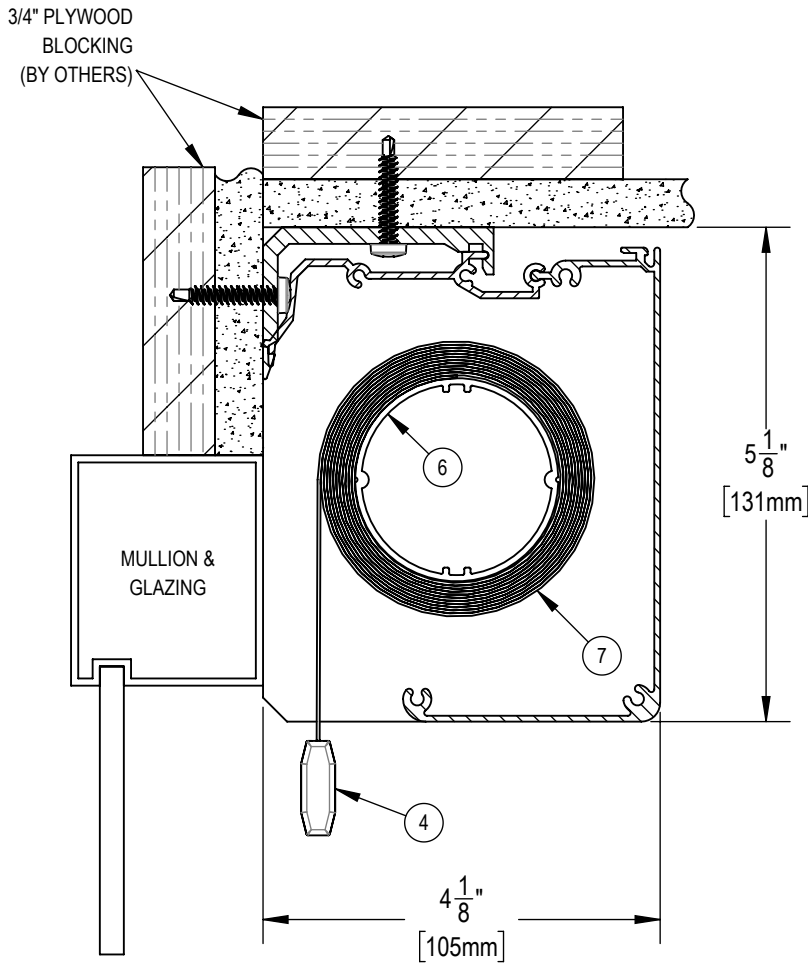


THE TELESHADE CAN BE MOUNTED TO THE CEILING OR TO THE WALL ABOVE THE MULLION



NOTES:

1. MOUNTING ANGLE
2. 2" WIDE SPRING CLIP
3. EXTRUDED ALUMINUM 5" FASCIA
4. EXTRUDED ALUMINUM EXTERIOR HEMBAR
5. ALUMINUM END PLATE
6. 2" Ø EXTRUDED ALUMINUM TUBE
7. FABRIC: 1%, 3%, 5%, 10% OPENNESS OR BLACKOUT



SOLARFECTIVE

USA Phone: 850-208-3417
 Canada Phone: 416-421-3800
 E-mail: sfsupport@legrand.us

TELESHADE 5 AUTOMATED CASSETTE SYSTEM

PROJECT: -

DATE: MAR 18, 2018

SCALE: 1:2

FILE No. -

DWG. No. SF-T10M