

LOW VOLTAGE HIGH/LOW/OFF PIR FIXTURE INTEGRATED OUTDOOR PHOTO/MOTION SENSOR

| FSP-201

Fully adjustable high and low dimmed light levels; optional dusk to dawn control

Controls 0-10V dim-to-off LED drivers or ballasts, or works with a power pack to control other loads

Hold off setpoint with automatic calibration option for convenience and added energy savings



Adjustable via handheld wireless configuration tool

IP66 rated with choice of lenses for wet and outdoor locations, and mounting heights from 8' to 40'

Adjustable time delay and cut off delay



Description

The FSP-201 mounts in an outdoor lighting fixture and provides multi-level control based on motion and/or daylight contribution. It controls 0-10 VDC dim-to-off LED drivers or ballasts, or works with a power pack to control other loads. When used with an FSP-Lx Lens, the sensor is rated for wet and cold locations. All control parameters are adjustable via a wireless configuration tool capable of storing and transmitting sensor profiles.

Operation

Typically, the sensor ramps lighting On to the selected High mode level when motion is detected and the ambient light level is below the hold off setpoint. After the sensor stops detecting movement and the time delay elapses, lights fade to the Low mode level. If there is no motion during the subsequent cut off time delay, the lights will turn Off. For dusk to dawn control, the integral photocell can switch the lights On and Off based on the ambient light level so that lighting remains on overnight even without motion detection.

Features

- Provides low voltage 0-10 VDC dimming control for one more LED drivers or ballasts; one sensor can control multi-lamp/head fixtures
- High and low modes fully adjustable from 0 to 10V
- Time delay from 5 to 30 minutes
- Optional cut off delay
- Adjustable ramp up and fade down times
- Optional daylighting setpoints feature automatic calibration, or permit manual adjustment
- Configuration tool stores six sensor profiles for quick setup and adjustment of multiple sensors
- Polycarbonate construction; flame retardant, UV resistant, impact resistant, recyclable
- UL244A and UL508; IP66 rated (when fully assembled and installed) for use in wet locations
- This product meets the materials restrictions of RoHS
- BAA/TAA-compliant models available

Wireless Handheld Configuration Tool

Initial setup and subsequent sensor adjustments are made using a handheld configuration tool (FSIR-100). This tool enables adjustment of parameters including high and low modes, sensitivity, time delay, cut off and more. The FSIR-100 is also used to initiate automatic calibration of the FSP-201 ambient light level setpoint. The setpoint is used to hold the controlled lighting off or at low level when there is sufficient daylight. The wireless tool stores up to six sensor parameter profiles to speed configuration of multiple sensors.

Applications

The slim, low-profile FSP-201 is designed for installation inside the bottom of a light fixture body. When fully assembled and installed in an IP66-rated fixture, the sensor and FSP-Lx lenses are IP66 outdoor rated. The sensor is ideal for areas such as parking facilities, gas stations, pedestrian pathways and warehouses, and can control multiple fixtures. A choice of four lenses ensures complete coverage for mounting heights up to 40'.

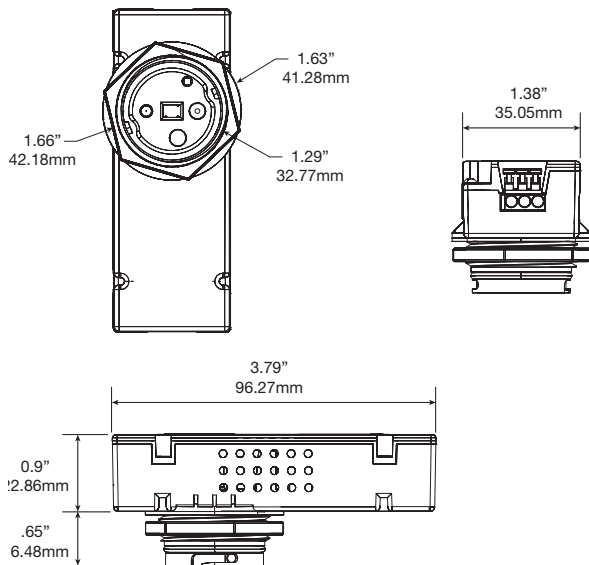
PROJECT	LOCATION/ TYPE

Specifications

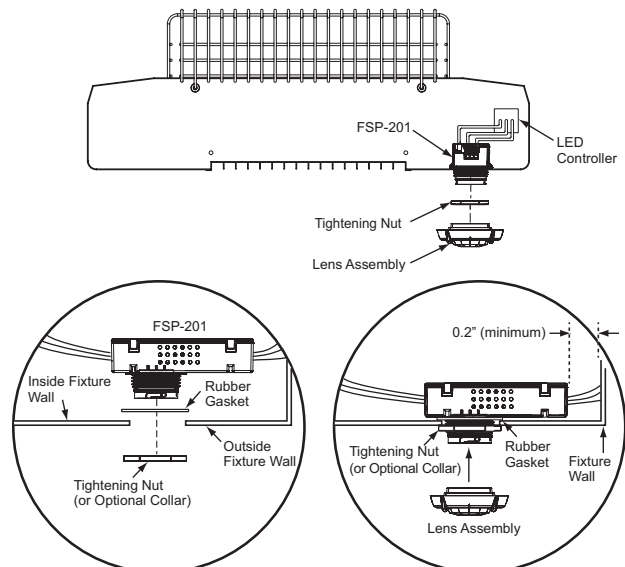
- Operating voltage: 12-32 VDC
- Current consumption: 15 mA max.
- Control output max. source current: 100 mA
- 0-10V output max. sink current: 50 mA
- High mode: 0-10 V; default 10 V
- Low mode: Off, 0-9.8 V; default 1 V
- Time delay: 30 sec., 1-30 min.; default 5 min.
- Cut off delay: disable, 1-60 min. 1-5 hrs.; default 1 hr.
- Sensitivity/service mode: low, med, max; on-fix, off-fix; default max
- Hold off setpoint: disable, 1-250 fc, auto; default disabled
- Photocell On/Off: 1-250 fc; default disabled
- Ramp up time: disable, 1-60 sec.; default disabled
- Fade down time: disable, 1-60 sec.; default disabled
- Operating conditions: -40 to 176°F (-40 to 80°C); 5-95% RH, non condensing
- Weight: 2.12 oz (60 grams)
- IP66
- TUU, UL and cUL listed (E101196)
- Five year warranty

Dimensions, Mounting & Wiring

Sensor Dimensions

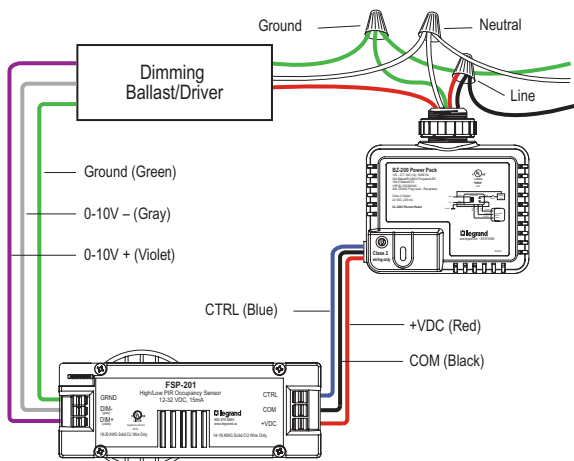


Sensor Mounting



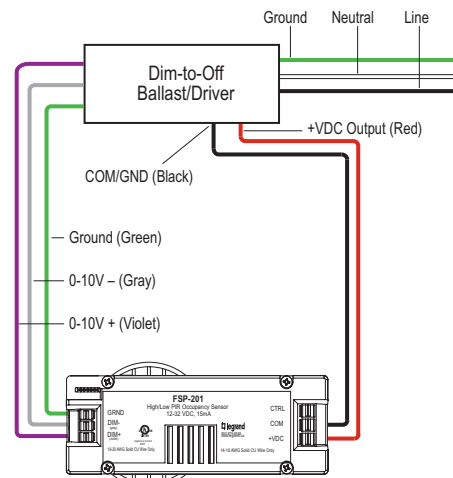
The FSP-201 accommodates fixture wall thickness up to 0.125" (3.18mm)

Wiring with Power Pack



When used with traditional ballast, a power pack provides operating power to the FSP-201 and on/off control for the load.

Wiring with Dim-to-Off Driver with Aux Input



A power pack is not required when the driver or ballast includes a low voltage power supply and on/off control capability.

Ordering Information

Catalog #		Color	Description	Input Voltage
<input type="checkbox"/>	FSP-201	White	Fixture mount PIR motion sensor	12-32VDCw
<input type="checkbox"/>	FSP-201-U	White	Fixture mount PIR motion sensor, BAA/TAA compliant*	
<input type="checkbox"/>	FSP-L2	White	360° lens, maximum coverage 48' diameter from 8' height	
<input type="checkbox"/>	FSP-L2-B	Black		
<input type="checkbox"/>	FSP-L2-BR	Brown		
<input type="checkbox"/>	FSP-L2-G	Gray		
<input type="checkbox"/>	FSP-L3	White	360° lens, maximum coverage 40' diameter from 20' height	
<input type="checkbox"/>	FSP-L3-B	Black		
<input type="checkbox"/>	FSP-L3-BR	Brown		
<input type="checkbox"/>	FSP-L3-G	Gray		
<input type="checkbox"/>	FSP-L7	White	360° lens, maximum coverage 100' diameter from 40' height	
<input type="checkbox"/>	FSP-L7-B	Black		
<input type="checkbox"/>	FSP-L7-BR	Brown		
<input type="checkbox"/>	FSP-L7-G	Gray		
<input type="checkbox"/>	FSP-C1-W	White	Small collar, for use with FSP-L2 and FSP-L3 lenses (Optional for models above. Included with -D and -S models ordered below)	
<input type="checkbox"/>	FSP-C1-B	Black		
<input type="checkbox"/>	FSP-C1-BR	Brown		
<input type="checkbox"/>	FSP-C1-G	Gray		
<input type="checkbox"/>	FSP-C2-W	White	Large collar, for use with FSP-L7 lens (Optional for models above. Included with -D and -S models ordered below)	
<input type="checkbox"/>	FSP-C2-B	Black		
<input type="checkbox"/>	FSP-C2-BR	Brown		
<input type="checkbox"/>	FSP-C2-G	Gray		

Note: Unless used with a dim-to-off driver or ballast with a low voltage power supply, the FSP-201 requires a WattStopper power pack (ordered separately) to operate. FSP-Lx series lens required for operation; order lens separately.

*Product is compliant with Buy American Act and Trade Agreement Act