

LENSES FOR PASSIVE INFRARED FIXTURE INTEGRATED OCCUPANCY SENSORS

FSP-LX SERIES

Three interchangeable lenses for FSP series fixture sensors

IP66 rated when installed in outdoor-rated fixture

Lenses available in 4 colors



Optional shroud with integrated lens to block high-angle light

Coverage choices for mounting heights between 8 and 40 feet

Mounts easily onto sensor module from fixture exterior

Description

FPS-Lx lenses work with FSP series motion sensors to provide multi-level lighting control based on motion and the ambient light level. Three lens choices provide flexibility for varying mounting heights.

Wet Location Rating

When fully assembled and installed in an outdoor-rated fixture, FSP sensors and FSP-Lx lenses are IP66 rated. To obtain this rating, the device underwent extremely rigorous testing. The IP66 rating means the device is completely protected against dust and against water jets from all directions.

Operation

The lenses mount onto the sensor body from the exterior of the fixture, threading onto the sensor module's threaded collar. Three 360° lens choices provide coverage from 8, 20, and 40 foot mounting heights. The FSP-L2 provides maximum coverage of 48' diameter mounted at eight feet. The FSP-L3 provides maximum coverage of 40' diameter mounted at 20 feet. The wide angle FSP-L7 provides maximum coverage of 100' diameter mounted at 40 feet.

Applications

FSP series sensors with FSP-Lx lenses are ideal for damp or wet indoor or outdoor locations. They are suitable for use in luminaires installed in parking facilities, gas stations, pedestrian pathways, warehouses and other harsh locations.

Features

- IP66 rated (when fully assembled with an FSP series sensor and installed in IP66 rated fixture) for use in wet location environments (indoor and outdoor)
- Polycarbonate, flame retardant, UV resistant, impact resistant
- Recyclable
- This product meets the materials restrictions of RoHS
- Optional shroud with integrated lens to block high-angle light

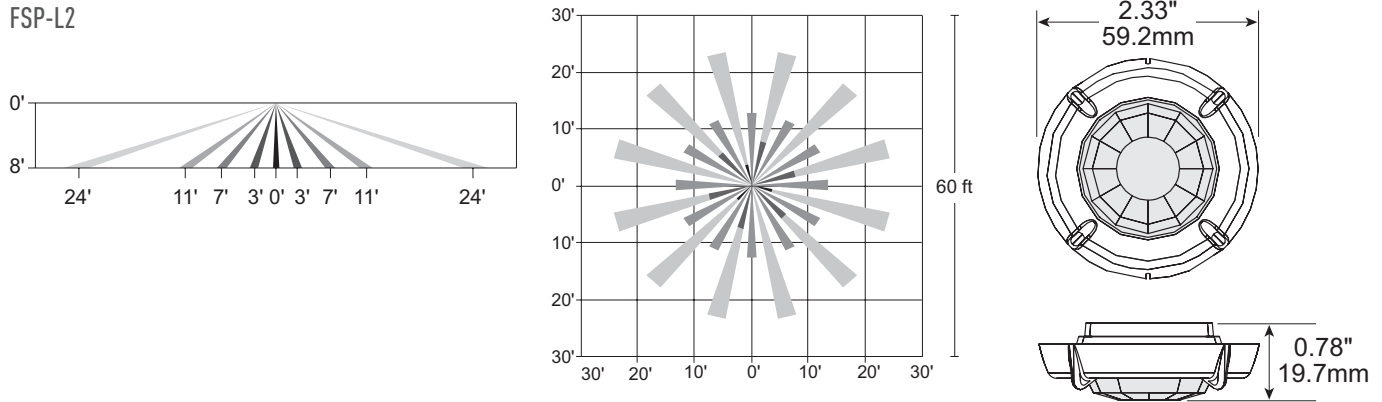
PROJECT		LOCATION/ TYPE	
---------	--	-------------------	--

Specifications

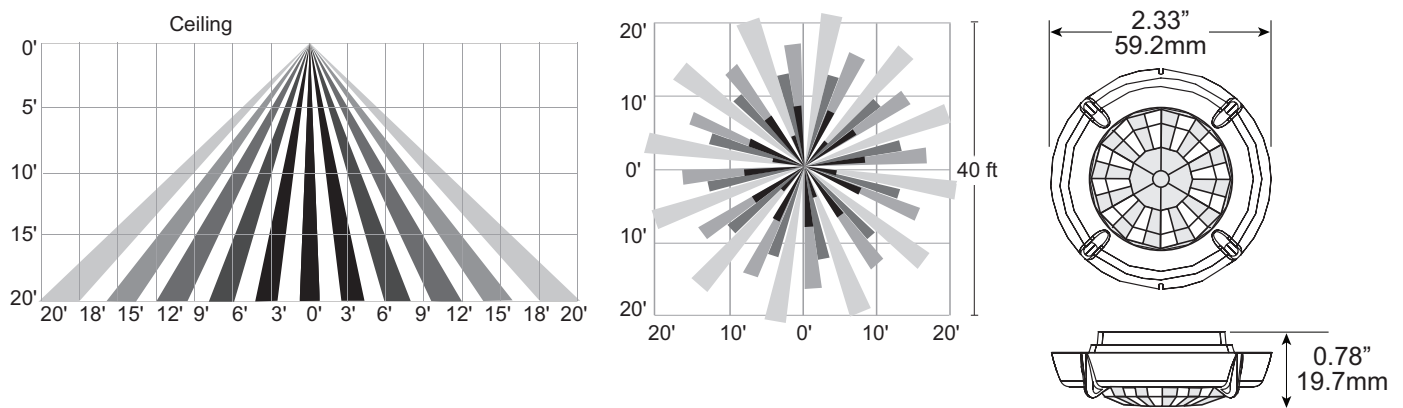
- Operating temperature: -40-167°F (-40-75°C)
- Storage temperature: -40-176°F (-40-80°C)
- Operating Humidity: 20-90%
- Five year warranty

Coverage & Dimensions

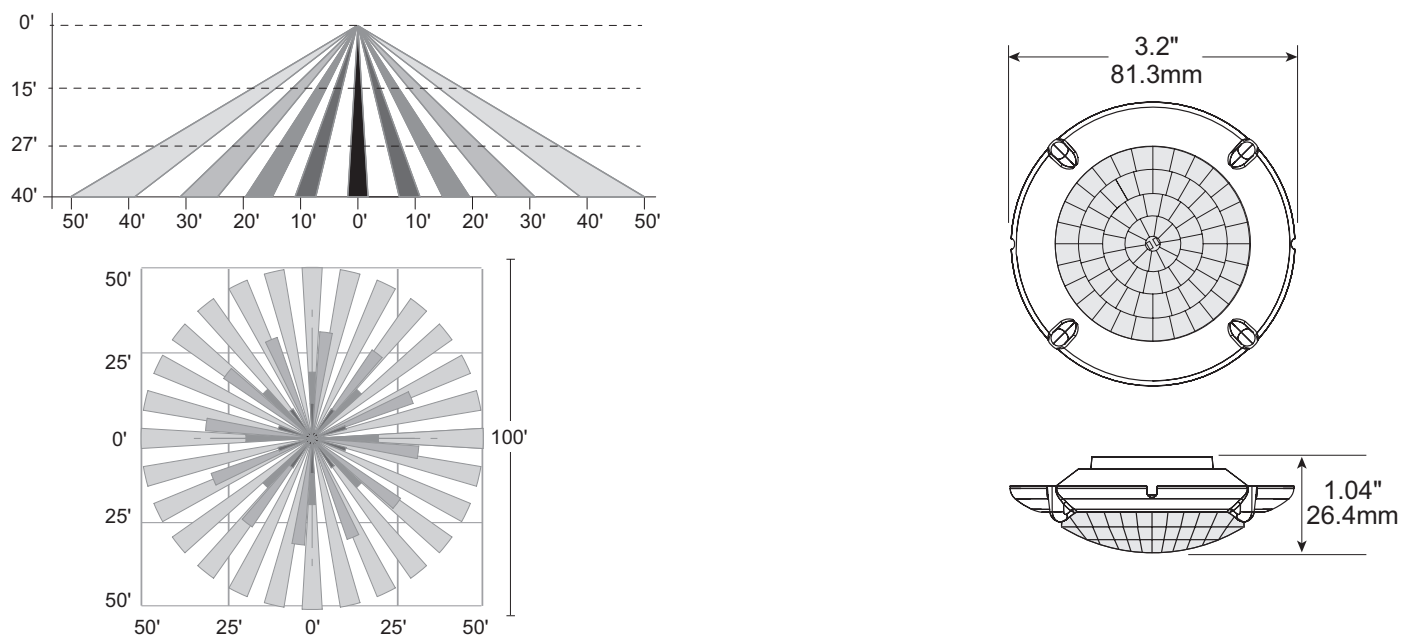
FSP-L2



FSP-L3

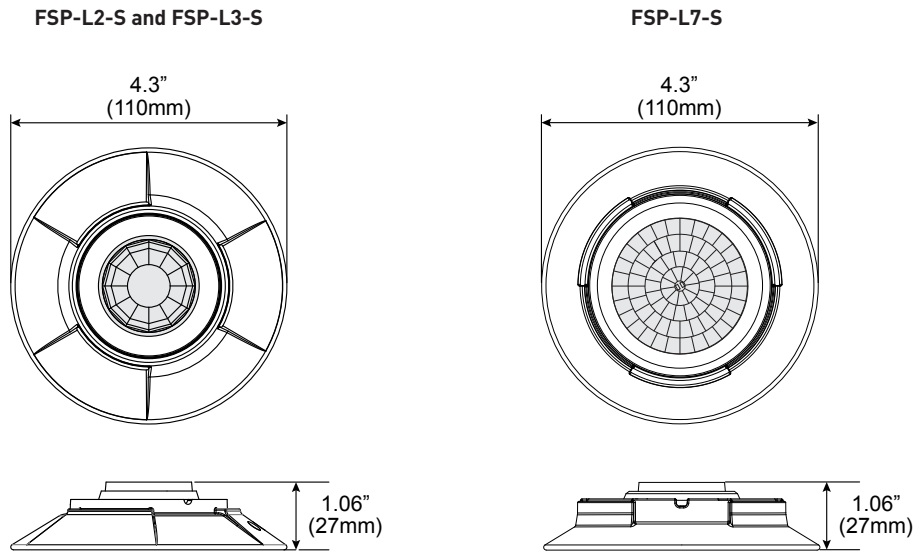


FSP-L7



FSP-L2-S, FSP-L3-S, and FSP-L7-S Dimensions

The FSP-Lx-S models include a shroud to block light coming from the fixture. With the shroud attached, the dimensions for all three lenses are identical



Ordering Information

Catalog #	Color	Description
<input type="checkbox"/> FSP-L2	White	360° lens, maximum coverage 48' diameter from 8' height
<input type="checkbox"/> FSP-L2-B	Black	
<input type="checkbox"/> FSP-L2-BR	Brown	
<input type="checkbox"/> FSP-L2-G	Gray	
<input type="checkbox"/> FSP-L2-S	White	360° lens, maximum coverage 48' diameter from 8' height, with shroud
<input type="checkbox"/> FSP-L3	White	360° lens, maximum coverage 40' diameter from 20' height
<input type="checkbox"/> FSP-L3-B	Black	
<input type="checkbox"/> FSP-L3-BR	Brown	
<input type="checkbox"/> FSP-L3-G	Gray	
<input type="checkbox"/> FSP-L3-S	White	360° lens, maximum coverage 40' diameter from 20' height, with shroud
<input type="checkbox"/> FSP-L7	White	360° lens, maximum coverage 100' diameter from 40' height
<input type="checkbox"/> FSP-L7-B	Black	
<input type="checkbox"/> FSP-L7-BR	Brown	
<input type="checkbox"/> FSP-L7-G	Gray	
<input type="checkbox"/> FSP-L7-S	White	360° lens, maximum coverage 100' diameter from 40' height, with shroud