

Catalog Number • Numéro de Catalogue • Número de Catálogo: LMBC-300-H6

Country of Origin: Made in China • Pays d'origine: Fabriqué en Chine • País de origen: Hecho en China

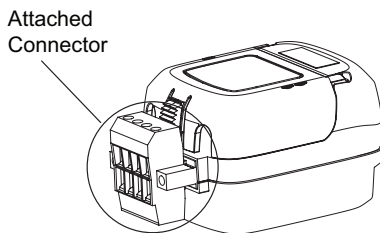
DESCRIPTION

The LMBC-300-H6 Quick Connect Wiring Harness provides BACnet connection for up to 6 LMBC-300s, mounted to a DIN rail. Each end of the harness has the (S) Shield wire connected, while the connectors for each individual LMBC-300 have the (S) Shield wire twisted and securely wrapped around the wire jacket with heat shrink. Since up to 40 LMBC-300s can be connected in a BACnet segment, use of the LMBC-300-H6 allows for a minimum number of terminations in a properly wired BACnet network.

The harness contains 6 male terminal blocks for connection to LMBC-300s, plus a male terminal block on one end and female terminal block on the other end. The harness also includes additional pre-attached male and female terminal blocks, for use when connecting to LM-MSTP cable. Remove these terminal blocks to connect to another LMBC-300-H6.

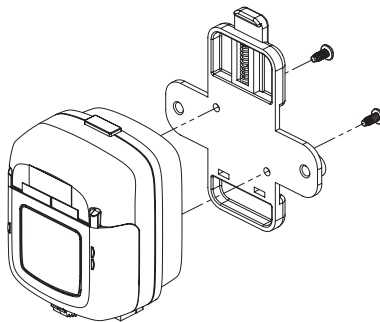
Step 1 Remove Connectors from the LMBC-300s

Unscrew and unplug the connectors from each LMBC-300.



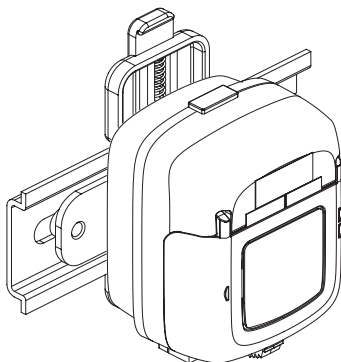
Step 2 Attach DIN Rail Mounting Bracket

Screw mounting bracket (included with LMBC-300) into back of the LMBC-300.



Step 3 Attach LMBC-300s to DIN Rail

Attach up to 6 LMBC-300s to an 18" DIN rail, by pulling spring-loaded handle and fitting clip into rail.

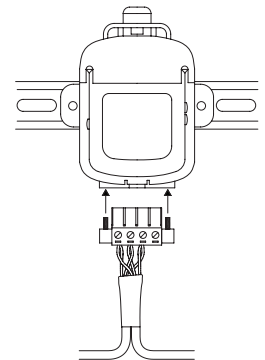


Step 4 Attach Harness Connectors to LMBC-300s

Plug connectors on the LMBC-300-H6 into each LMBC-300, securing each connector by screwing it in.

NOTE: Do **not** connect the male terminal block at the end of the harness to an LMBC-300. This terminal block is used only to extend the segment by connecting to LM-MSTP cable or an additional LMBC-300-H6, or to end the segment by connecting to a terminal block with an end-of-line resistor.

NOTE: If connecting fewer than 6 LMBC-300s to the harness, place LMBC-300s at both ends of the harness to prevent slack in the middle, as shown in the drawing on the next page.



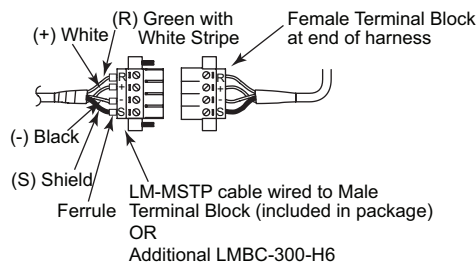
Step 5 Connect BACnet Cable or Another Harness

If connecting the harness to LM-MSTP cable, attach the cable to the extra male terminal block, as shown below. Repeat at the other end with the extra female terminal block.

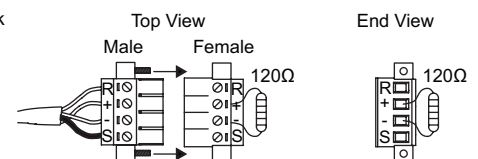
NOTE: Wattstopper recommends the use of ferrules to connect wires to the terminal block, as described on the next page.

If connecting to another LMBC-300-H6, remove the appropriate extra terminal block from each harness and connect the two.

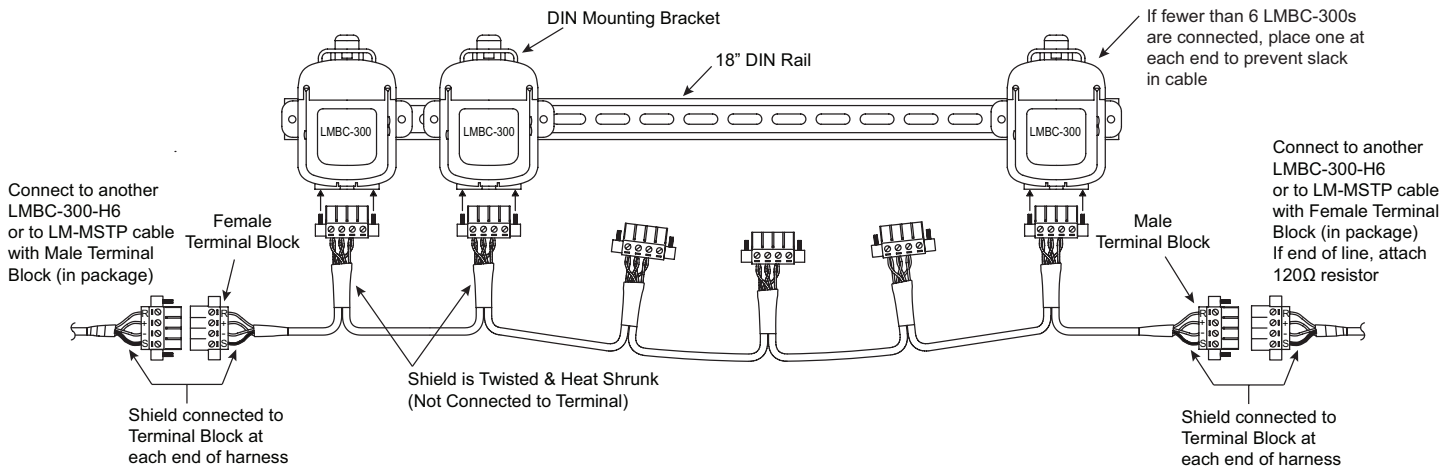
If this harness is at the end of the segment, an EOL (End of Line) 120Ω resistor must be installed on the extra female terminal block, as shown below.



Connecting LM-MSTP cable or another LMBC-300-H6



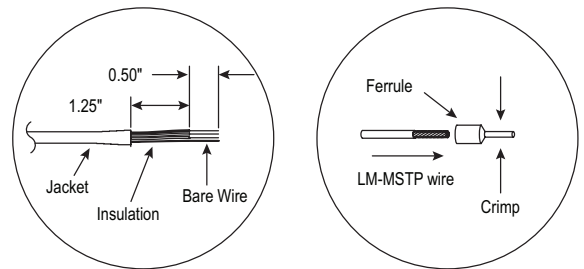
Installing an EOL Resistor



Example of LMBC-300-H6 Installed With LMBC-300s

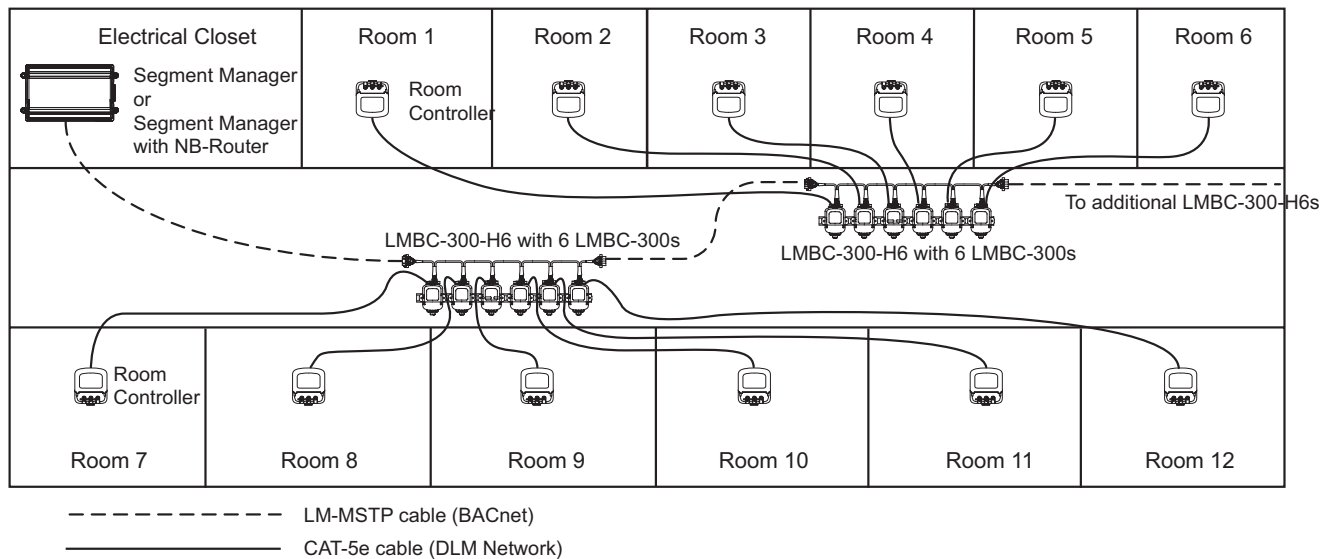
Attaching Ferrules to LM-MSTP Wires

Wattstopper recommends attaching ferrules to the LM-MSTP wires to help maintain signal integrity. Wires should be stripped as shown in the diagram to the right. Insert the wire into a ferrule and crimp the end, using a crimping tool designed to work with ferrules. Then insert the end of the ferrule into the appropriate slot in the terminal block.



Insulation Strip Guide
*Legrand recommends using Ferrules, but if not using, wire should be stripped to .25" only

Example of hallway and rooms using networked LMBC-300-H6s



WARRANTY INFORMATION

Wattstopper warrants its products to be free of defects in materials and workmanship for a period of five (5) years. There are no obligations or liabilities on the part of Wattstopper for consequential damages arising out of, or in connection with, the use or performance of this product or other indirect damages with respect to loss of property, revenue or profit, or cost of removal, installation or reinstallation.

INFORMATIONS RELATIVES À LA GARANTIE

Wattstopper garantit que ses produits sont exempts de défauts de matériaux et de fabrication pour une période de cinq (5) ans. Wattstopper ne peut être tenu responsable de tout dommage consécutif causé par ou lié à l'utilisation ou à la performance de ce produit ou tout autre dommage indirect lié à la perte de propriété, de revenus, ou de profits, ou aux coûts d'enlèvement, d'installation ou de réinstallation.

INFORMACIÓN DE LA GARANTÍA

Wattstopper garantiza que sus productos están libres de defectos en materiales y mano de obra por un período de cinco (5) años. No existen obligaciones ni responsabilidades por parte de Wattstopper por daños consecuentes que se deriven o estén relacionados con el uso o el rendimiento de este producto u otros daños indirectos con respecto a la pérdida de propiedad, renta o ganancias, o al costo de extracción, instalación o reinstalación.