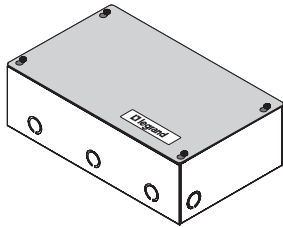


Catalog Number • Numéro de Catalogue • Número de Catálogo: LMSM-ENC1

Country of Origin: Made in China • Pays d'origine: Fabriqué en Chine • País de origen: Hecho en China

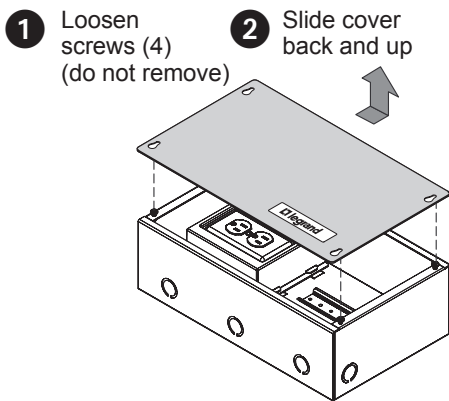
DESCRIPTION



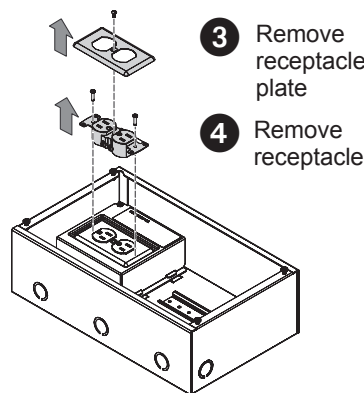
The LMSM-ENC1 assembly provides protection and conduit connection points for the Segment Manager and an integral 120VAC receptacle. It is designed for applications where code or the local AHJ requires that low voltage wiring such as DLM Local Network cables, control and communication wiring be run inside conduit.

ATTENTION: This enclosure is provided with an earthing conductor. Proper grounding of this enclosure shall be in accordance with all applicable regulations, local and NEC codes. For complete installation and operation of the Segment Manager, see the instructions provided with the unit.

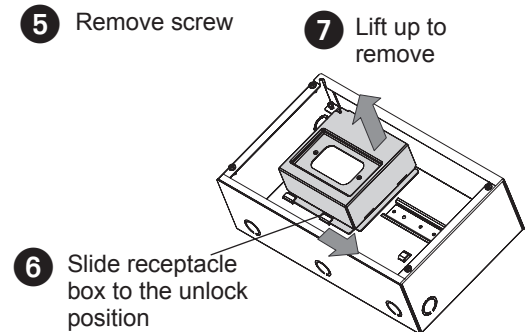
REMOVE ENCLOSURE COVER



REMOVE RECEPTACLE

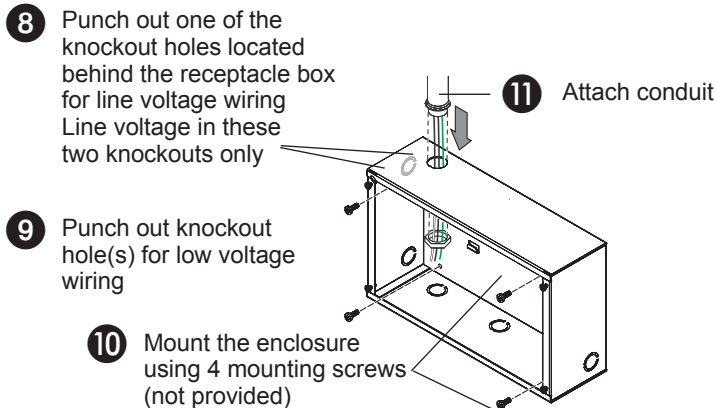


REMOVE RECEPTACLE BOX



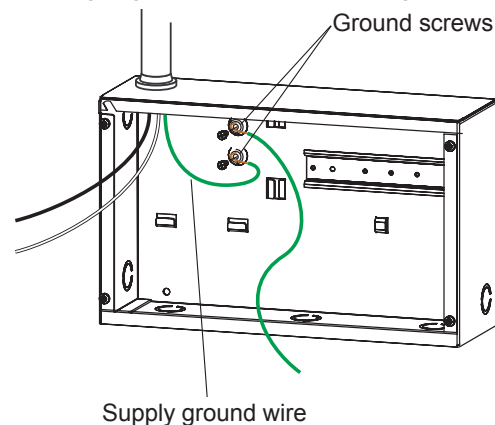
MOUNT THE ENCLOSURE

Position and mount the box so that the cover is not obstructed for removal and access.

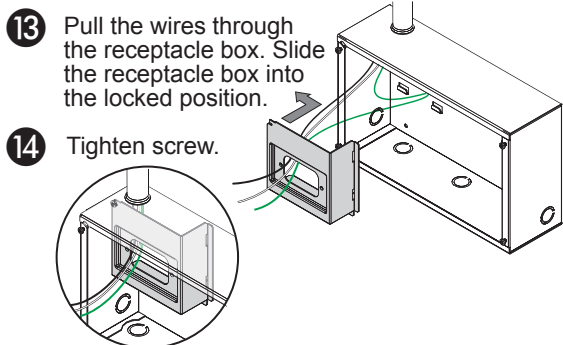


ATTACH GROUND WIRES

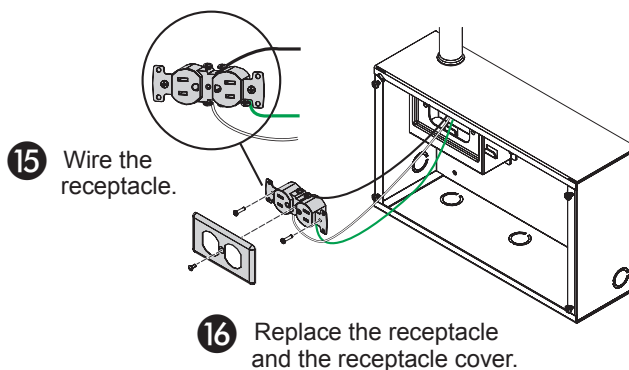
12 Attach the ground wire coming from the conduit, and a second ground wire going to the receptacle to the grounding boss.



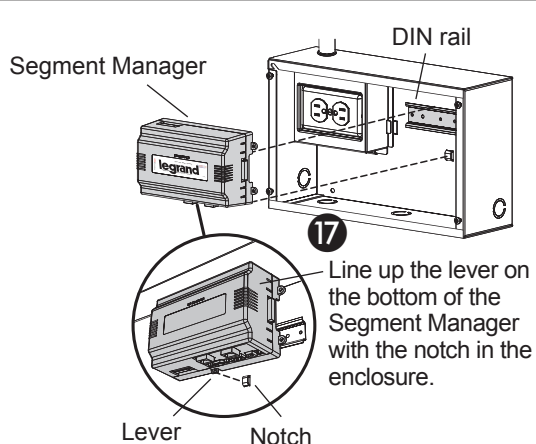
REPLACE RECEPTACLE BOX

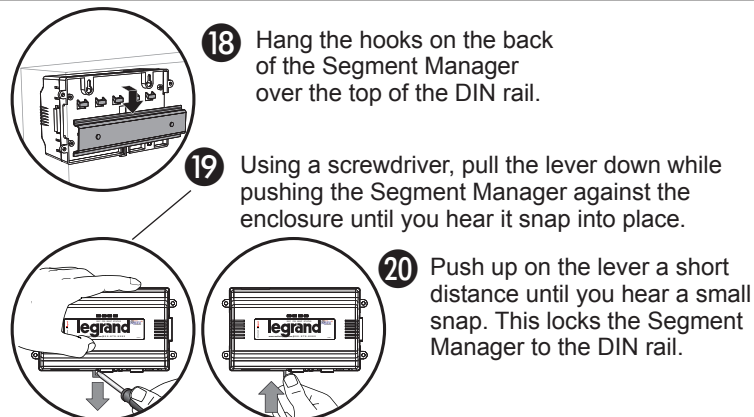
- 13** Pull the wires through the receptacle box. Slide the receptacle box into the locked position.
- 14** Tighten screw.
- 

WIRE RECEPTACLE

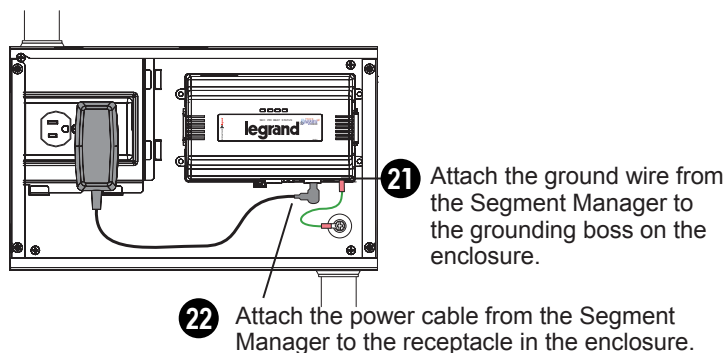
- 15** Wire the receptacle.
- 16** Replace the receptacle and the receptacle cover.
- 

INSTALL THE SEGMENT MANAGER

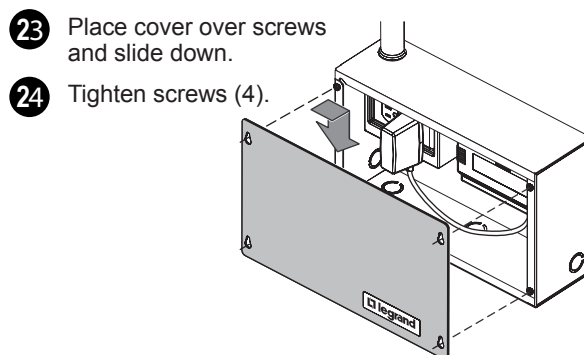
- Segment Manager
- DIN rail
- 17** Line up the lever on the bottom of the Segment Manager with the notch in the enclosure.
- Lever
- Notch
- 

- 18** Hang the hooks on the back of the Segment Manager over the top of the DIN rail.
- 19** Using a screwdriver, pull the lever down while pushing the Segment Manager against the enclosure until you hear it snap into place.
- 20** Push up on the lever a short distance until you hear a small snap. This locks the Segment Manager to the DIN rail.
- 

ATTACH POWER CABLE AND GROUND WIRE TO THE SEGMENT MANAGER

- 21** Attach the ground wire from the Segment Manager to the grounding boss on the enclosure.
- 22** Attach the power cable from the Segment Manager to the receptacle in the enclosure.
- 

REPLACE ENCLOSURE COVER

- 23** Place cover over screws and slide down.
- 24** Tighten screws (4).
- 

WARRANTY INFORMATION

Wattstopper warrants its products to be free of defects in materials and workmanship for a period of five (5) years. There are no obligations or liabilities on the part of Wattstopper for consequential damages arising out of, or in connection with, the use or performance of this product or other indirect damages with respect to loss of property, revenue or profit, or cost of removal, installation or reinstallation.

INFORMATIONS RELATIVES À LA GARANTIE

Wattstopper garantit que ses produits sont exempts de défauts de matériaux et de fabrication pour une période de cinq (5) ans. Wattstopper ne peut être tenu responsable de tout dommage consécutif causé par ou lié à l'utilisation ou à la performance de ce produit ou tout autre dommage indirect lié à la perte de propriété, de revenus, ou de profits, ou aux coûts d'enlèvement, d'installation ou de réinstallation.

INFORMACIÓN DE LA GARANTÍA

Wattstopper garantiza que sus productos están libres de defectos en materiales y mano de obra por un período de cinco (5) años. No existen obligaciones ni responsabilidades por parte de Wattstopper por daños consecuentes que se deriven o estén relacionados con el uso o el rendimiento de este producto u otros daños indirectos con respecto a la pérdida de propiedad, renta o ganancias, o al costo de extracción, instalación o reinstalación.