



Desktop Power Center Slim puts smart USB charging where you need it.

## Desktop Power Center Slim brings technology to the point-of-use

WSPC220, WSPC320, WSPC220C, WSPC320C, WSPCBKT

Add power and charging wherever it's needed. Desktop Power Center Slim offers sleek and easy-to-install solutions that mount directly on surfaces and minimize cord clutter. Perfect for desks, tabletops and workstations.

### Features & Benefits

- **Multiple options.** Two versions with reliable power and charging – one with three (3) tamper-resistant power outlets and two (2) USB charging ports (3.1A) and one with two (2) tamper-resistant power outlets and two (2) USB charging ports (3.1A).
- **Intelligent and energy efficient.** Smart charging capability that recognizes devices and when to shut off during peak loads.
- **Easy connection to power sources.** 6' (1.83m) 14 gauge pass-through cord easily reaches walls and floors.
- **Simple and flexible installation.** Mounting kits include options for both horizontal and vertical applications.
- **Less clutter, more functionality.** A sleek slim design fits unobtrusively on work surfaces.
- **Seamlessly blends into your space.** Two color choices that work with any environment.



### Compliance

**Desktop Power Center Slim:**

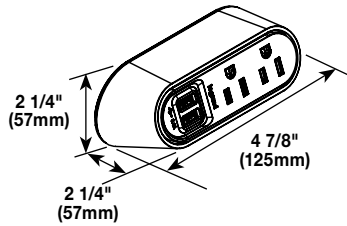
cETLus Listed Furniture Power Distribution Unit Listed to US & Canadian Safety Standards.

**Desktop Power Center Slim Ordering Information**

**WSPC220BK  
WSPC220WH**

**Two Outlet Unit** – Unit Includes two (2) 15A tamper-resistant power receptacles and two (2) smart USB ports that provide 3.1A. Unit comes with a 6' (1.83m) cord. Includes a screw in mounting plate for forward facing outlets. Does not include mounting kit. Available in matte black (WSPC220BK) or gloss white (WSPC220WH) with a gray face.

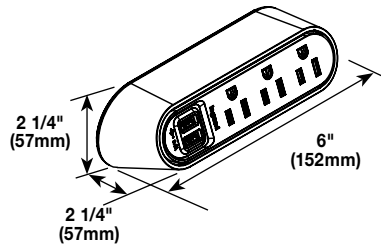
**Country of Origin: China**



**WSPC320BK  
WSPC320WH**

**Three Outlet Unit** – Unit Includes three (3) 15A tamper-resistant power receptacles and two (2) smart USB ports that provide 3.1A. Unit comes with a 6' (1.83m) cord. Includes a screw in mounting plate for forward facing outlets. Does not include mounting kit. Available in matte black (WSPC320BK) or gloss white (WSPC320WH) with a gray face.

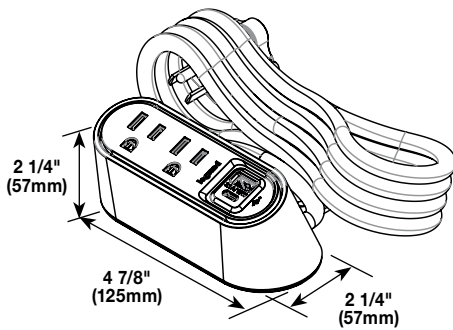
**Country of Origin: China**



**WSPC220CBK  
WSPC220CWH**

**Two Outlet Unit with Mounting Kit** – Unit Includes two (2) 15A tamper-resistant power receptacles and two (2) smart USB ports, one (1) USB-A and one (1) USB-C, that provide 3.1A. Unit comes with a 6' (1.83m) cord. Includes a screw in mounting plate for forward facing outlets and WSPCBKT Mounting Kit. Available in matte black (WSPC220CBK) or gloss white (WSPC220CWH) with a gray face.

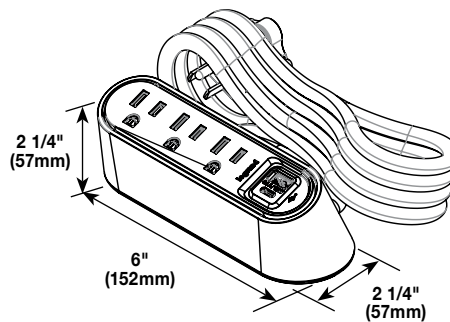
**Country of Origin: China**



**WSPC320CBK  
WSPC320CWH**

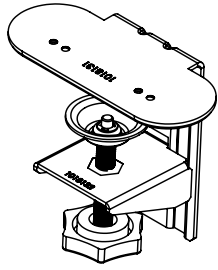
**Three Outlet Unit with Mounting Kit** – Unit Includes three (3) 15A tamper-resistant power receptacles and two (2) smart USB ports, one (1) USB-A and one (1) USB-C, that provide 3.1A. Unit comes with a 6' (1.83m) cord. Includes a screw in mounting plate for forward facing outlets and WSPCBKT Mounting Kit. Available in matte black (WSPC320CBK) or gloss white (WSPC320CWH) with a gray face.

**Country of Origin: China**

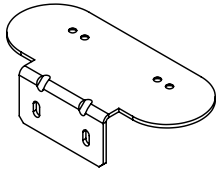


**Desktop Power Center Slim Mounting Options**

**WSPCBKTBK  
WSPCBKTGY**



Clamp



Right Angle Scew-In  
Mounting Plate

**Alternate Mounting Kit** – Kit includes clamp for screwless mounting, and right angle screw in mounting plate. The two piece clamp allows the Desktop Power Center Slim to be installed against partition walls without dismantling them. The clamp allows the outlets to be mounted forward or upward facing. The right angle screw in mounting plate allows the outlets to be mounted facing upward. Available in black or gray finishes.

**Country of Origin: China**

**NOTE: WSPCBKT Mounting Kit is not included with part numbers: WSPC220xx or WSPC320xx but is included with part numbers: WSPC220Cxx or WSPC320Cxx.**

**Screw In Mounting Plate (included with all units)**



**Right Angle Screw In Mounting Plate (included in WSPCBKT Mounting Kit)**



**Clamp for screwless mounting (included in WSPCBKT Mounting Kit)**



**WSPC320WH mounted horizontally on work surface**



**Pass-through plug retains access to outlets**


---

## Vertical Markets

- Commercial
- Hospitality
- Education
- Parks
- Entertainment
- Healthcare
- Retail
- Transit

---

**NOTE: All brand and product names referenced in this document are registered trademarks or trademarks of their respective holders.**

 **NOTE:** The paper used to print this document is an environmentally responsible paper with 10% post consumer waste, with FSC and SFI Chain of Custody certifications, Lacey Act compliant. 100% of the electricity used to manufacture Flo sheets is generated with Green-e certified renewable energy.



**Legrand, North America**  
60 Woodlawn Street  
West Hartford, CT 06110  
1.877.BY.LEGRAND (295.3472)  
[www.legrand.us](http://www.legrand.us)

**Canada**  
905.738.9195  
[www.legrand.ca](http://www.legrand.ca)

FOLLOW US

