

SWM RACKS					
PART NUMBER	"WW" = RU's	"XX" = DOOR TYPE	"Z" DENOTES FINISH	"A" = OVERALL HEIGHT	"B" = MOUNTING HOLE HEIGHT
SWM12RUSD-26-26	12RU	SD = SOLID	BLACK	24.88"	21.88"
SWM18RUSD-26-26	18RU	SD = SOLID	BLACK	35.38"	32.38"
SWM26RUSD-26-26	26RU	SD = SOLID	BLACK	49.38"	46.38"
SWM12RUPL-26-26	12RU	PL = PLEXI	BLACK	24.88"	21.88"
SWM18RUPL-26-26	18RU	PL = PLEXI	BLACK	35.38"	32.38"
SWM26RUPL-26-26	26RU	PL = PLEXI	BLACK	49.38"	46.38"
SWM12RUPD-26-26	12RU	PD = PERF	BLACK	24.88"	21.88"
SWM18RUPD-26-26	18RU	PD = PERF	BLACK	35.38"	32.38"
SWM26RUPD-26-26	26RU	PD = PERF	BLACK	49.38"	46.38"

**CABINETS ARE UL2416 LISTED**

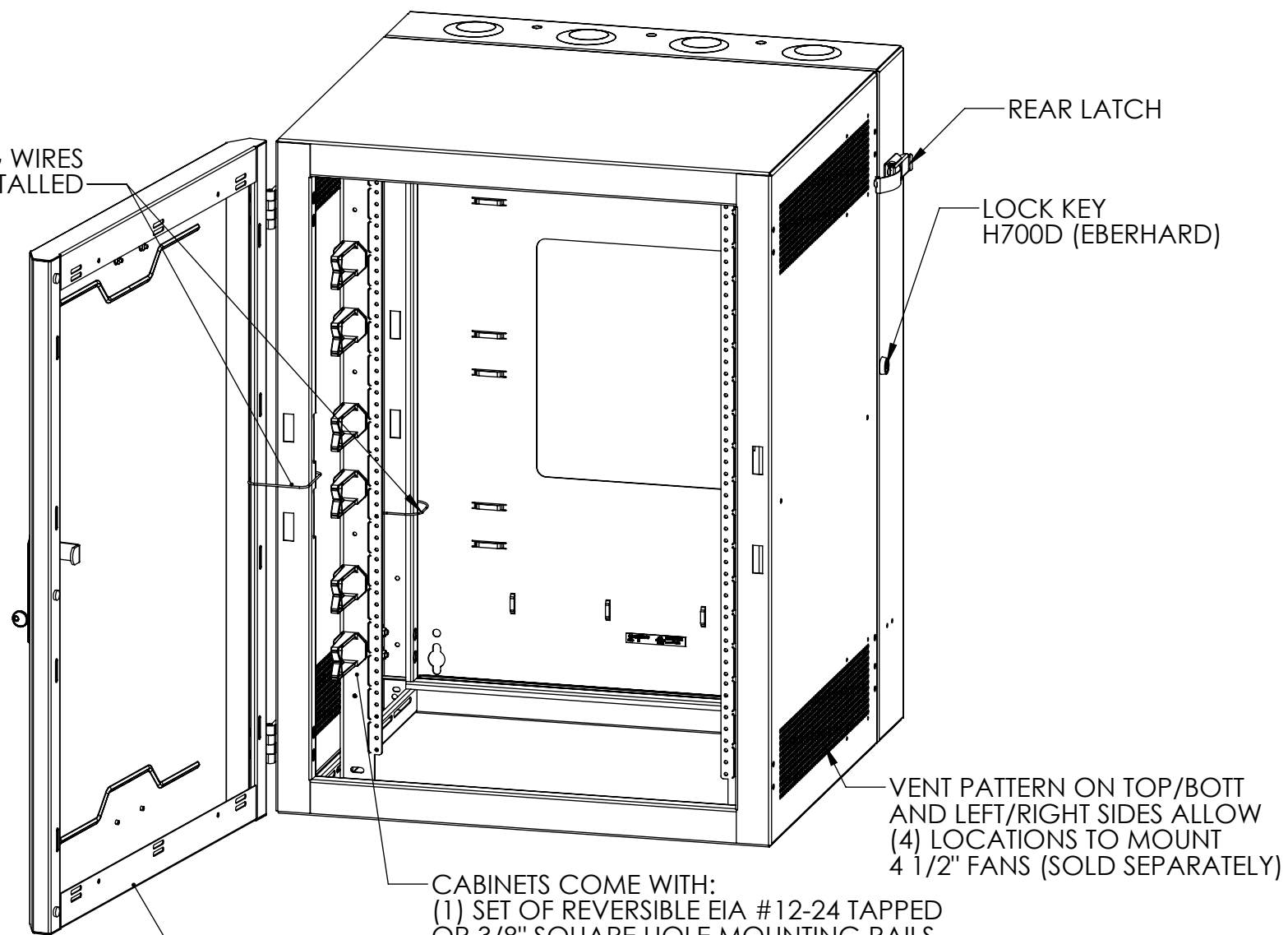
**FUNCTIONAL LOAD RATINGS:**

**12RU = 125 LBS**

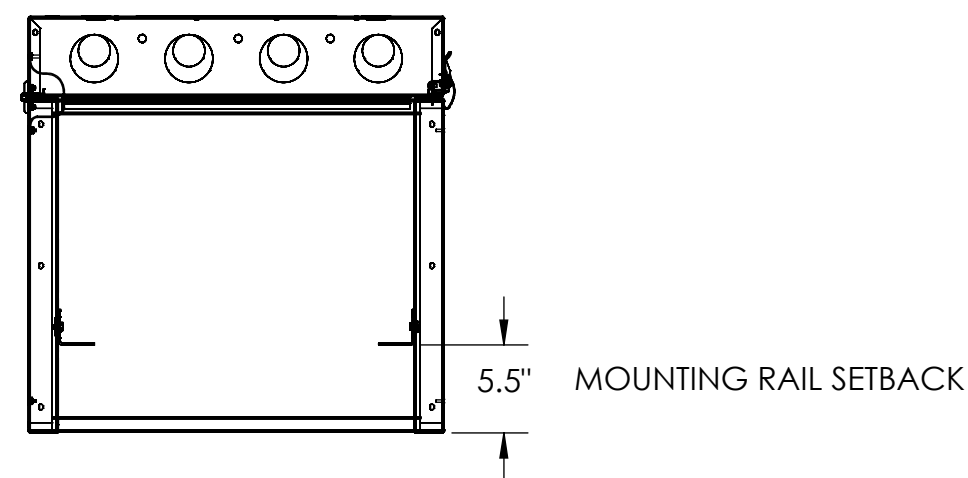
**18RU = 150 LBS**

**26RU = 200 LBS**

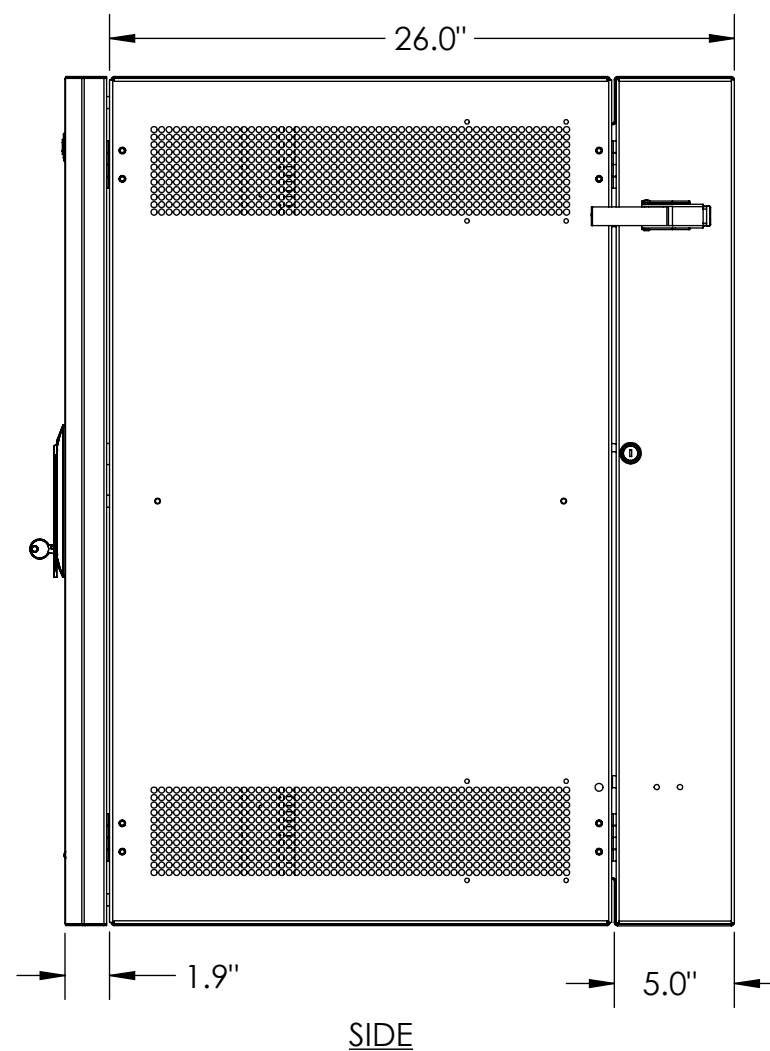
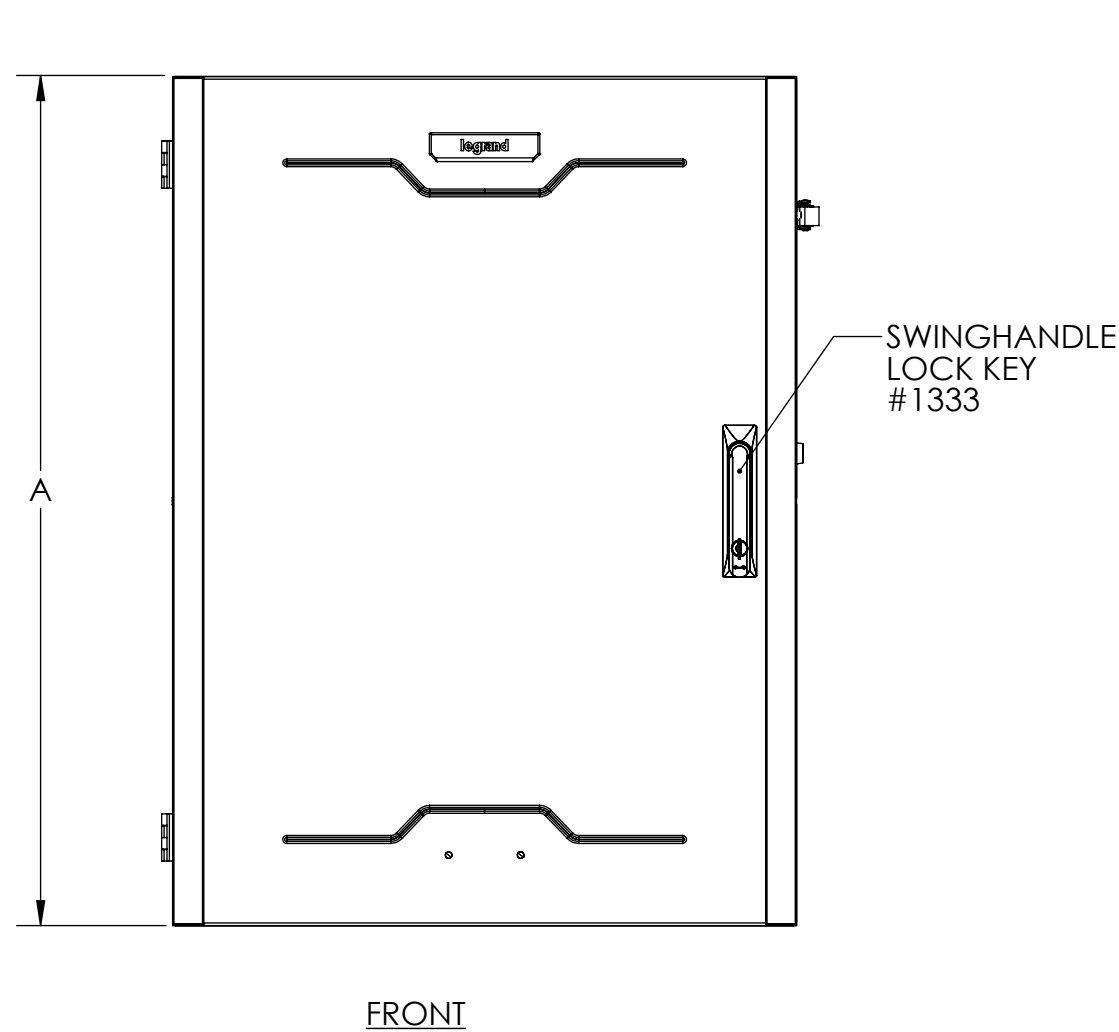
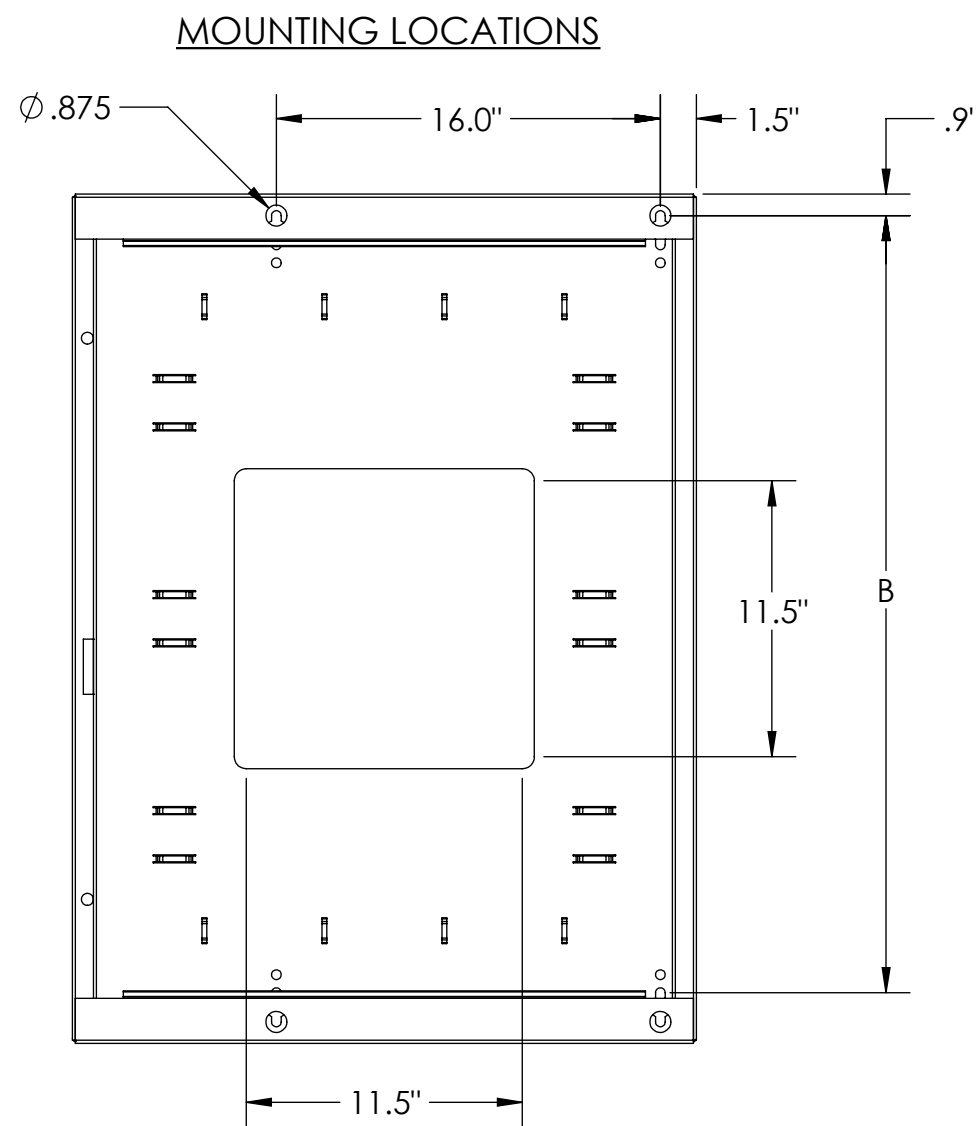
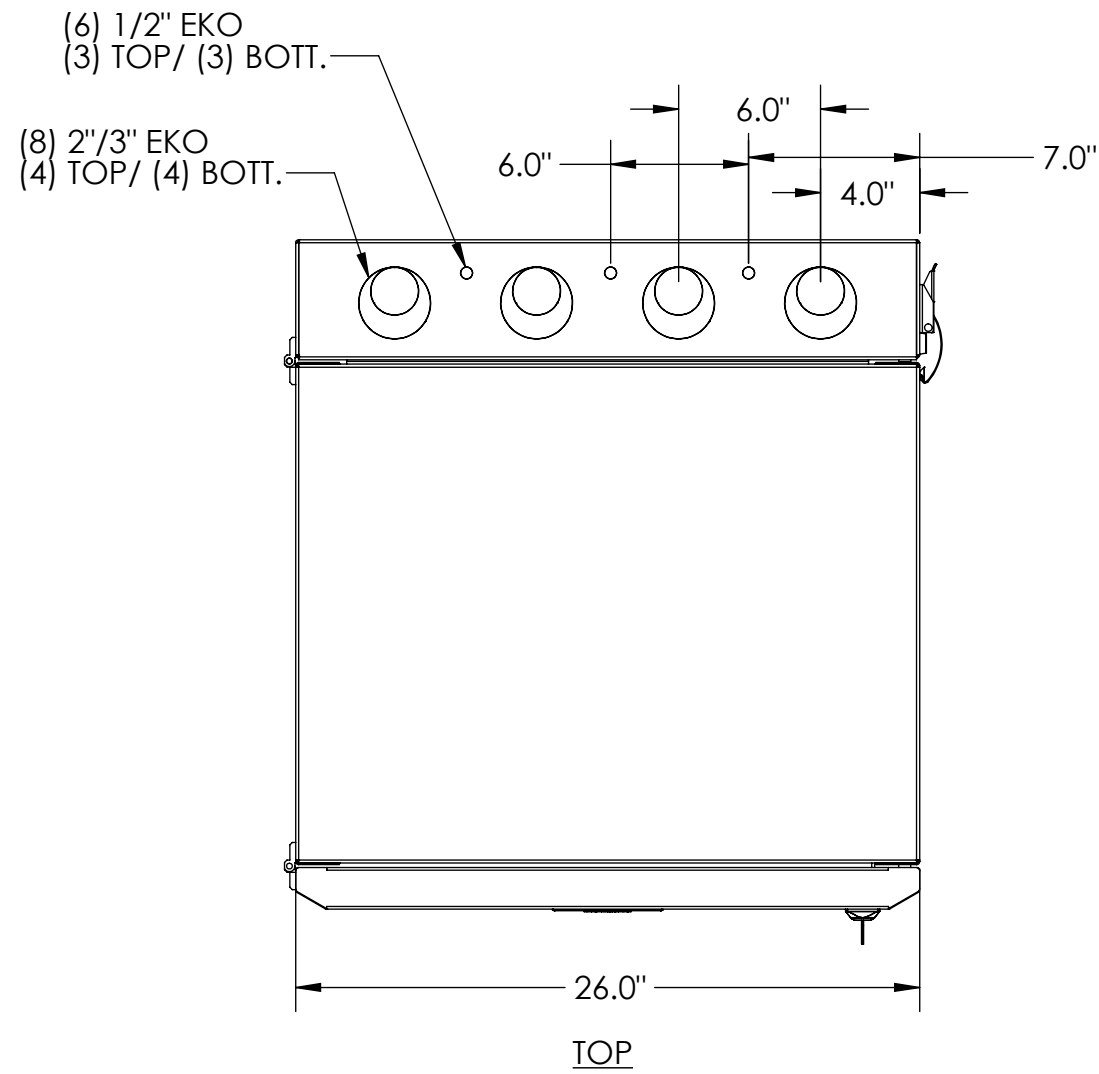
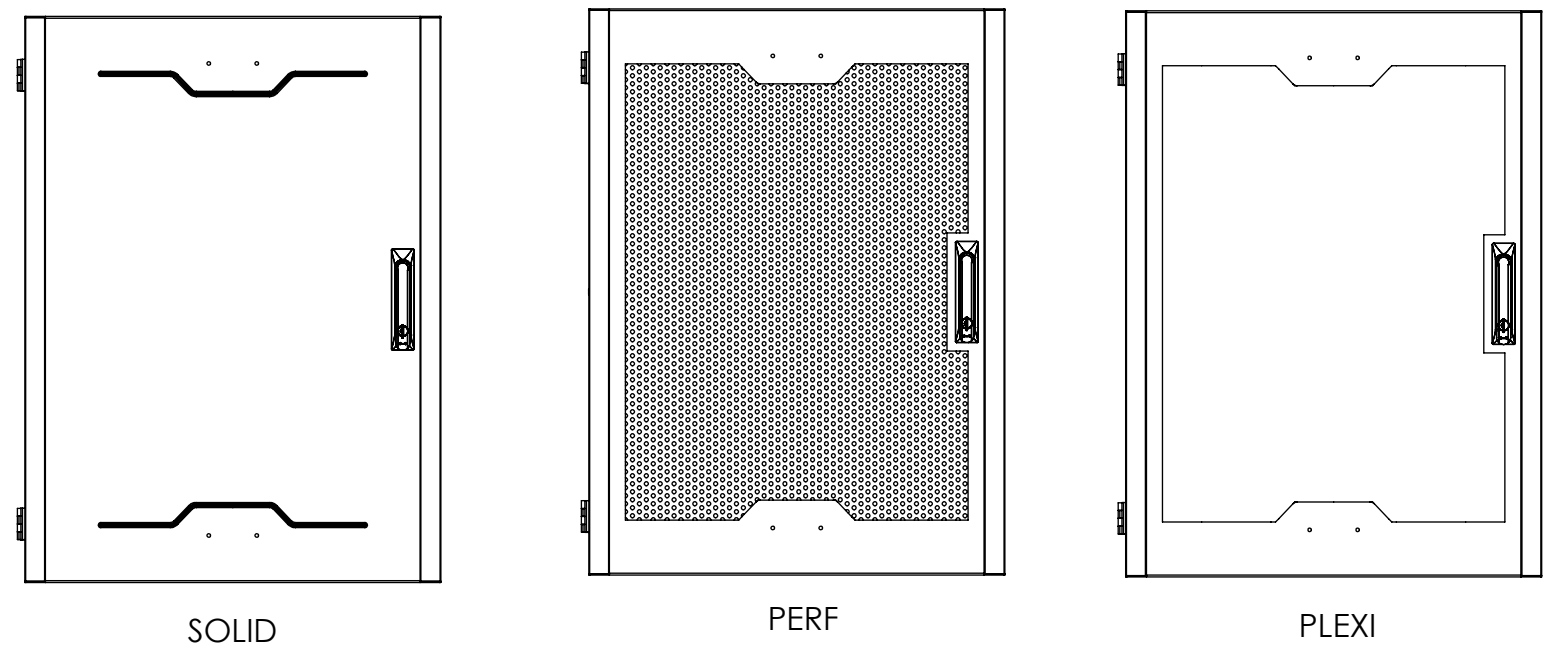
FRAME BONDING WIRES  
PRE-INSTALLED



FRONT DOOR SWINGS 180° OPEN



**DOOR STYLES**



\*\*\* NOTICE \*\*\*  
THIS DOCUMENT CONTAINS CONFIDENTIAL AND/OR PROPRIETARY INFORMATION INTENDED FOR USE ONLY BY THE INDIVIDUAL(S) PROVIDED.  
NEITHER THIS DOCUMENT, NOR ANY INFORMATION CONTAINED HEREIN, MAY BE COPIED, DISTRIBUTED, DISCLOSED TO ANY THIRD PARTY OR USED IN ANY MANNER OTHER THAN FOR WHICH IT HAS BEEN PROVIDED, WITHOUT THE PRIOR WRITTEN CONSENT OF LEGRAND, INC.

**legrand** WWW.LEGRAND.US

TITLE SWM CABINETS

DWN	CMV	9/29/2017	SIZE	CAD FILE	DWG NO	REV
CHK	CAC	12/12/2017	C	SWMWWRUXX2626ZC	SWMWWRUXX-26-26-Z	05
APPR	CV	12/14/2017	SCALE	1:12	SHEET	1 OF 1