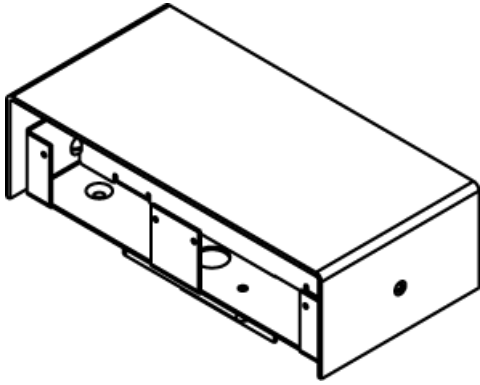




Wiremold
RC91GHBTC and RC92GHBTC Series Single-Width Service Head
Part No. 292-H/BTC



Includes housing, base, scrub water gasket, and barrier. Use with Insert Assembly RC99FFS. NOTE: RC91GHBTC and RC92GHBTC Series Poke-Thru Devices require a minimum 3 1/16" (78mm) diameter hole.

Features & Benefits

Includes housing, base, scrub water gasket, and barrier. Use with Insert Assembly RC99FFS. NOTE: RC91GHBTC and RC92GHBTC Series Poke-Thru Devices require a minimum 3 1/16" (78mm) diameter hole.

Specifications

General Info

Product Line	Wiremold	UPC Number	786564022084
Country Of Origin	Mexico	Construction	Unassembled
Application Sector	Commercial	Standard	cULus Listed Metallic Outlet Boxes: File E2961 Guide QCIT, cULus Listed Nonmetallic Outlet Boxes & Fittings Classified for Fire Resistance: File R8209 Guide CEYY Meets Article 300.21 300.22[C] & 314 of NEC
Type	Poke-Thru		

Listing Agencies / 3rd Party Agencies

cULus ListingNumber	E2961	cULus Listed	Yes
---------------------	-------	--------------	-----

Additional Information

RoHS Conformant	Yes
-----------------	-----