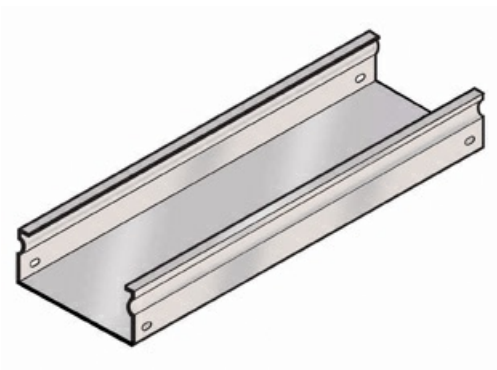




Cablofil
FIBER TROUGH -PREGALV(4D,12W,120L)
Part No. 340033



Cablofil Fiber Trough utilizes high strength steel components to provide the strength and durability required to manage fiber cabling requirements in the most demanding data center environments.

Features & Benefits

Strong corrosion resistant steel construction.

Unique Design: allows cover to snap on.

Rolled Edge: for cable protection.

18 gage steel (t).

Specifications

General Info

Product Line	Cablofil	Finish	Pre-Galvanized
Country Of Origin	Italy		

Dimensions

Product Width US	11.8 in	Product Weight US	29.8 lb
Product Volume US	3.132 cu ft	Product Depth US	117.6 in
Product Height US	3.9 in		

Buy American Act Compliance

BAA	Yes
-----	-----