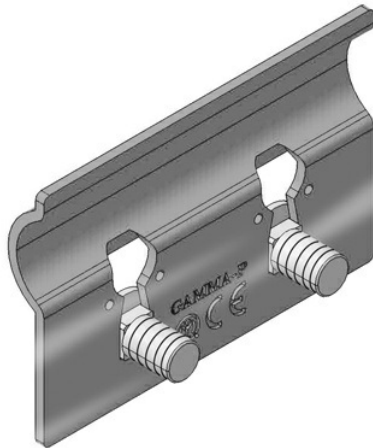




Cablofil
Discontinued -FT50 SPLICE PLATE W_HDWE PG
Part No. 341562



Cablofil Fiber Trough utilizes high strength steel components to provide the strength and durability required to manage fiber cabling requirements in the most demanding data center environments.

Features & Benefits

Use when splicing field cut tray sections.

Hardware Not Included

Specifications

General Info

Product Line	Cablofil	Finish	Pre-Galvanized
Country Of Origin	Italy		

Dimensions

Product Width US	2.25 in	Product Weight US	0.077 lb
Product Volume US	0.001 cu ft	Product Depth US	2.25 in
Product Height US	0.25 in		