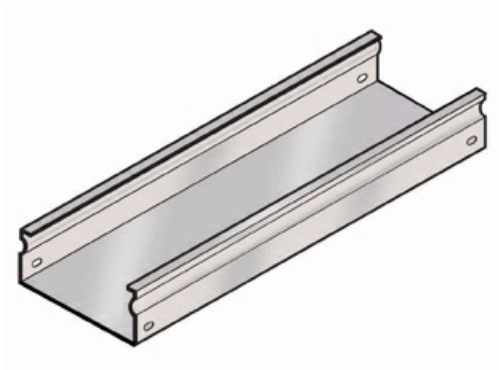




Cablofil  
New FT50/200PG - FiberTrough Straight  
Part No. 480023



Cablofil Fiber Trough utilizes high strength steel components to provide the strength and durability required to manage fiber cabling requirements in the most demanding data center environments.

## Features & Benefits

Built in splicing for connection without separate splice plates.

Strong corrosion resistant steel construction.

## Specifications

### General Info

Product Line	Cablofil	Finish	Pre-Galvanized
UPC Number	800388240063	Country Of Origin	Italy

### Dimensions

Product Weight US	10.256 lb
-------------------	-----------