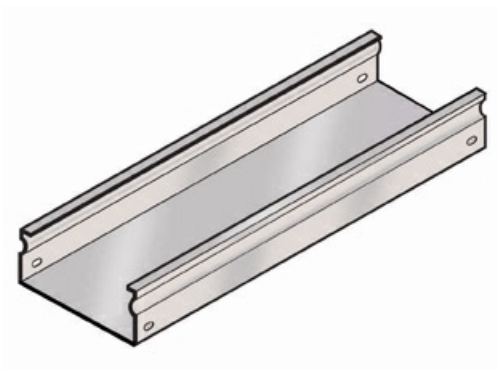




Cablofil  
FT100/100PG - FiberTrough Straight  
Part No. 480030



Cablofil Fiber Trough utilizes high strength steel components to provide the strength and durability required to manage fiber cabling requirements in the most demanding data center environments.

## Features & Benefits

Built in splicing for connection without separate splice plates.

Strong corrosion resistant steel construction.

## Specifications

### General Info

|              |              |                   |                |
|--------------|--------------|-------------------|----------------|
| Product Line | Cablofil     | Finish            | Pre-Galvanized |
| UPC Number   | 800388240087 | Country Of Origin | Italy          |

### Dimensions

|                   |           |
|-------------------|-----------|
| Product Weight US | 10.252 lb |
|-------------------|-----------|