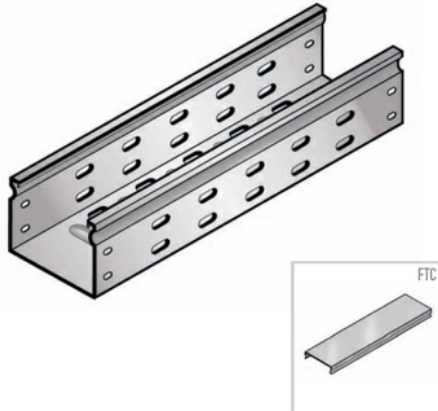




**Cablofil**  
**VT50/300PG - Ventilated Trough Straight**  
Part No. 480156



V-Trough cable tray keeps your cables protected and easy to manage. Its high-strength steel construction matches many European OEM specifications and is available in smaller sizes for control and instrumentation cabling. V-Trough is manufactured to exacting standards so that all components fit together perfectly, making installation a snap.

## Features & Benefits

Built in splicing for connection without separate splice plates.

Ventilated design: reduces cable heating, mold and moisture buildup.

## Specifications

### General Info

Product Line	Cablofil	Finish	Pre-Galvanized
UPC Number	800388240148	Country Of Origin	Italy

### Dimensions

Product Weight US	14.93 lb
-------------------	----------