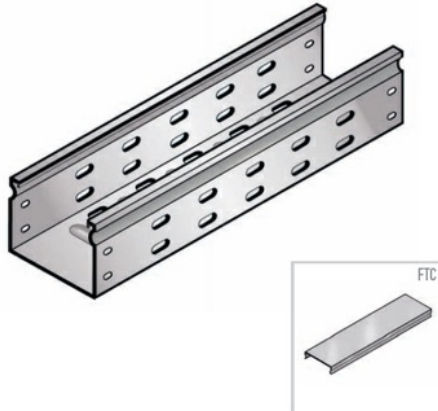




Cablofil
New VT100/300PG - Ventilated Straight
Part No. 481071



V-Trough cable tray keeps your cables protected and easy to manage. Its high-strength steel construction matches many European OEM specifications and is available in smaller sizes for control and instrumentation cabling. V-Trough is manufactured to exacting standards so that all components fit together perfectly, making installation a snap.

Features & Benefits

Built in splicing for connection without separate splice plates.

Ventilated design: reduces cable heating, mold and moisture buildup.

Specifications

General Info

Product Line	Cablofil	Finish	Pre-Galvanized
UPC Number	800388240179	Country Of Origin	Italy

Dimensions

Product Width US	11.8 in	Product Weight US	17.705 lb
Product Volume US	3.132 cu ft	Product Depth US	117.6 in
Product Height US	3.9 in		