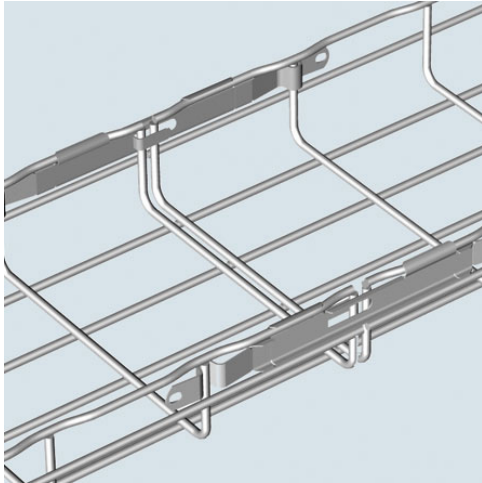




Cablofil  
**FAST SPLICE-STAINLESS (50 PCS) [558244]**  
Part No. 558244



Cablofil Wiremesh Cable Tray concept based upon performance, safety and economy — three qualities which make Cablofil Wiremesh Cable Tray system preferred by installers. Cablofil adapts to the most complex configurations, and its structure gives maximum strength for minimum weight. The ease of creating fittings, carried out on site, as well as the wide range of unique and universal accessories gives complete freedom in routing combined with exceptionally fast installation.

## Features & Benefits

Fastest splice available from Cablofil, saves up to 1/2 the install time compared to using bolted connections. Special assembly tool (EDRNT00L) is included in every bag of splices. UL Classified Splice.

## Specifications

### General Info

Product Line	Cablofil	Finish	Stainless 316
UPC Number	800388239944	Country Of Origin	China
Type	Splicing		

### Dimensions

Product Width US	7.5 in	Product Weight US	7.0 lb
Product Volume US	0.215 cu ft	Product Depth US	11.0 in
Product Height US	4.5 in		

### Buy American Act Compliance

BAA	Yes
-----	-----

### Additional Information

RoHS Conformant	Yes	Product Environmental Profile	Yes
-----------------	-----	-------------------------------	-----