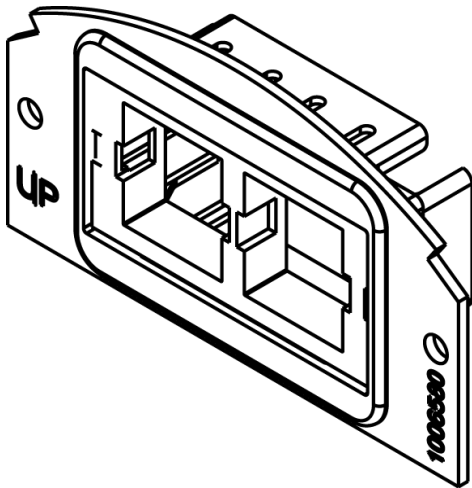




Wiremold  
Evolution 6AT Series Device Plate  
Part No. 682A



Device plate that will accept up to two (2) ports of communication devices. For use in either of the two side compartments only. Not for use in the center compartment. Communication devices supplied by others.

## Features & Benefits

Device plate that will accept up to two (2) ports of communication devices. For use in either of the two side compartments only. Not for use in the center compartment. Communication devices supplied by others.

Includes 2-port Keystone jack adapter, 2-port Commscope adapter and Series II adapter.

## Specifications

### General Info

Product Line	Wiremold	UPC Number	786564059844
Country Of Origin	United States	Construction	Not Assembled

Application Sector	Commercial	Standard	cULus Listed Metallic Outlet Boxes: File E2961 Guide QCIT. cULus Listed Nonmetallic Outlet Boxes & Fittings Classified for Fire Resistance: File R8209 Guide CEYY. Meets Article 300.21 & 300.22(C) & 314 of NEC.
--------------------	------------	----------	-------------------------------------------------------------------------------------------------------------------------------------------------------------------------------------------------------------------

Type	Poke-Thru
------	-----------

### Dimensions

Product Width US	2.2 in	Product Depth US	0.071 in
Product Length US	4.89 in		

---

## Listing Agencies / 3rd Party Agencies

---

cULus ListingNumber	E2961	cULus Listed	Yes
---------------------	-------	--------------	-----

---

## Additional Information

---

RoHS Conformant	Yes	Product Environmental Profile	Yes
-----------------	-----	-------------------------------	-----

---