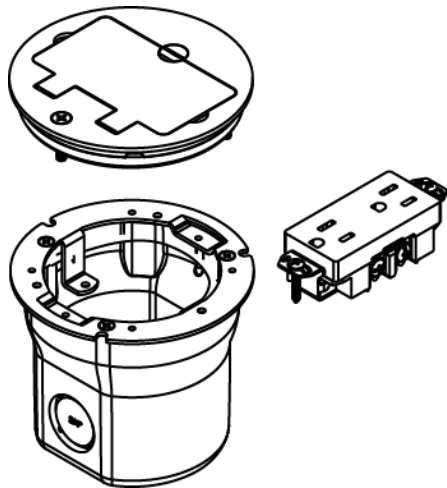




Wiremold
862GFI Series PVC Floor Box Assembly for Wood or Concrete Floors
Part No. 862TGFI



Includes 862 Series Floor Box, one Decorator style 15A, 125V tamper-resistant brown receptacle, and one 895TGFI brass cover for tile. Order 862KIT when using in concrete floor.

Features & Benefits

Includes 862 Series Floor Box, one Decorator style 15A, 125V tamper-resistant brown receptacle, and one 895TGFI brass cover for tile. Order 862KIT when using in concrete floor.

Specifications

General Info

Product Line	Wiremold	Replaced by Part Number	895TGFI, 862
UPC Number	786564032618	Country Of Origin	Mexico
Construction	Not Assembled	Cover Material	Brass
Application Sector	Commercial, Hospitality, Residential	Standard	cULus Listed Nonmetallic Outlet Boxes: File E110748 Guide QCMZ. Meets Article 314.27(C) of NEC.
Warranty Type	1-Year from Installation or 2-Years from Day of Sale	Type	Floor Box

Dimensions

Product Weight US	1.85 lb	Knockout Size	3/4 in
-------------------	---------	---------------	--------

Listing Agencies / 3rd Party Agencies

cULus ListingNumber	E110748	cULus Listed	Yes
---------------------	---------	--------------	-----

Additional Information

RoHS Compliant Yes

Technical Information

Floor Type Concrete, Wood Service Capacity Single

Box Capacity 1 Gang Cable Entry Through Floor

Number of Outlets 2 Depth Behind Device Plates 3.5 in
