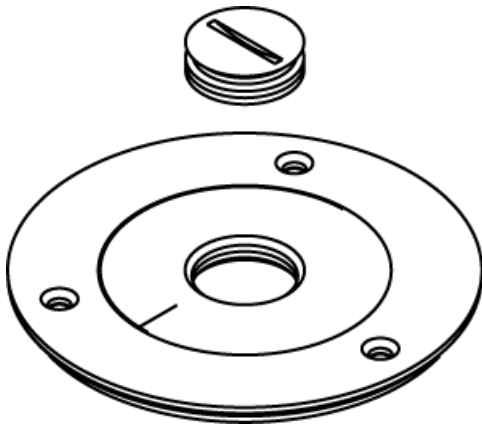




Wiremold  
880 Series™ and Ratchet-Pro 881 Series Brass Cover Plate  
Part No. 896TCK-3/4



Brass cover plate with 3/4" (19.1mm) threaded opening for tile.  
NOTE: For carpet or tile installations. All cover plates are furnished with gasket and three screws. The 895P Polycarbonate Series Cover Plates must be field modified for dual service.

## Features & Benefits

Brass cover plate with 3/4" (19.1mm) threaded opening for tile. Furnished with gasket and three screws.

## Specifications

### General Info

Product Line	Wiremold	UPC Number	786564276555
Country Of Origin	China	Construction	Assembled
Cover Material	Brass	Application Sector	Commercial, Education, Healthcare, Hospitality
Standard	cULus Listed Metallic Outlet Boxes: File E2961 Guide QCIT Meets Article 314.27(C) of NEC.	Warranty Type	1-Year from Installation or 2-Years from Day of Sale
Type	Cover		

### Dimensions

Product Width US	4.25 in	Product Weight US	0.806 lb
------------------	---------	-------------------	----------

### Listing Agencies / 3rd Party Agencies

cULus ListingNumber	E2961	cULus Listed	Yes
---------------------	-------	--------------	-----

---

## Additional Information

---

RoHS Compliant

Yes

Product Environmental Profile Yes

---