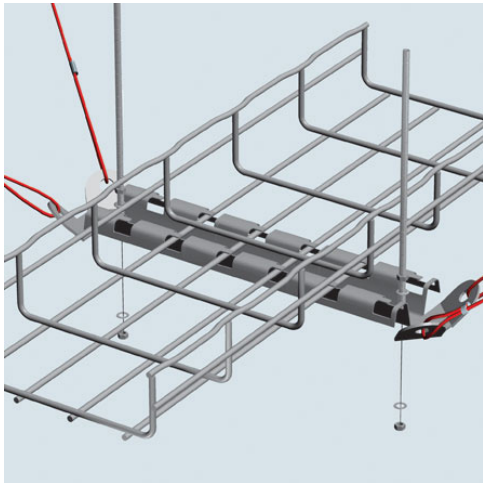




Cablofil
Seismic Bracing Kit
 Part No. 942445



Cablofil Wiremesh Cable Tray concept based upon performance, safety and economy; three qualities which make Cablofil Wiremesh Cable Tray system preferred by installers. Cablofil adapts to the most complex configurations, and its structure gives maximum strength for minimum weight. The ease of creating fittings, carried out on site, as well as the wide range of unique and universal accessories gives complete freedom in routing combined with exceptionally fast installation.

Features & Benefits

Kit contains items needed for seismic bracing long cable tray runs.

(4) 11' cables with mounting eyelets

(4) Cable clamp collars

Connect cables directly to 3/8" threaded rod in trapeze installations for seismic bracing.

Predrilled tabs allow attachment directly to concrete deck.

URC sold separately.

Each kit contains:

(2) Metal brackets for attachment to support members

(4) 3/8" x 3" wedge anchors

Use 2 EZ BN 3/8 to attach cables to FAS PCH for sway bracing.

Spacing must be at least every 30'. For installation recommendations contact Cablofil Technical Services.

Specifications

General Info

Product Line	Cablofil	Finish	Other
UPC Number	800388012424	Country Of Origin	United States
Standard	UL Classified		

Dimensions

Product Width US	10.0 in	Product Weight US	2.0 lb
Product Volume US	0.116 cu ft	Product Depth US	10.0 in
Product Height US	2.0 in		

Buy American Act Compliance

BAA	Yes
-----	-----
