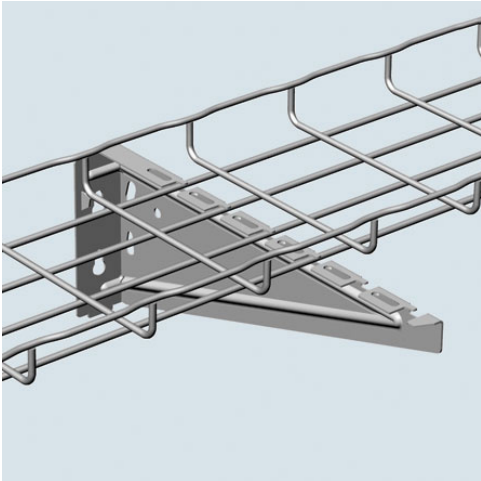




Cablofil  
FAS UNIVERSAL WALL BRACKET-PAINTED (4H,18W)  
Part No. 944937



Cablofil Wiremesh Cable Tray concept based upon performance, safety and economy

## Features & Benefits

three qualities which make Cablofil Wiremesh Cable Tray system preferred by installers. Cablofil adapts to the most complex configurations, and its structure gives maximum strength for minimum weight. The ease of creating fittings, carried out on site, as well as the wide range of unique and universal accessories gives complete freedom in routing combined with exceptionally fast installation.

## Specifications

### General Info

Product Line	Cablofil	Finish	Custom Painted
Country Of Origin	United States		

### Dimensions

Product Weight US	2.425 lb
-------------------	----------