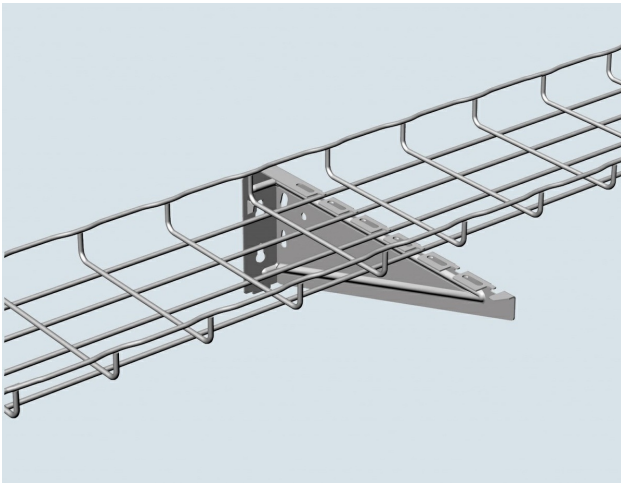




Cablofil
FASUCB100PE FAS UNIVERSAL BRACKET 945368
Part No. 945368



Cablofil Wiremesh Cable Tray concept based upon performance, safety and economy

Features & Benefits

three qualities which make Cablofil Wiremesh Cable Tray system preferred by installers. Cablofil adapts to the most complex configurations, and its structure gives maximum strength for minimum weight. The ease of creating fittings, carried out on site, as well as the wide range of unique and universal accessories gives complete freedom in routing combined with exceptionally fast installation.

Specifications

General Info

Product Line	Cablofil	Finish	Custom Painted
UPC Number	800388006935	Country Of Origin	Italy

Dimensions

Product Width US	1.772 in	Product Weight US	0.264 lb
Product Volume US	0.015 cu ft	Product Depth US	5.15 in
Product Height US	2.87 in		

Buy American Act Compliance

BAA	Yes
-----	-----